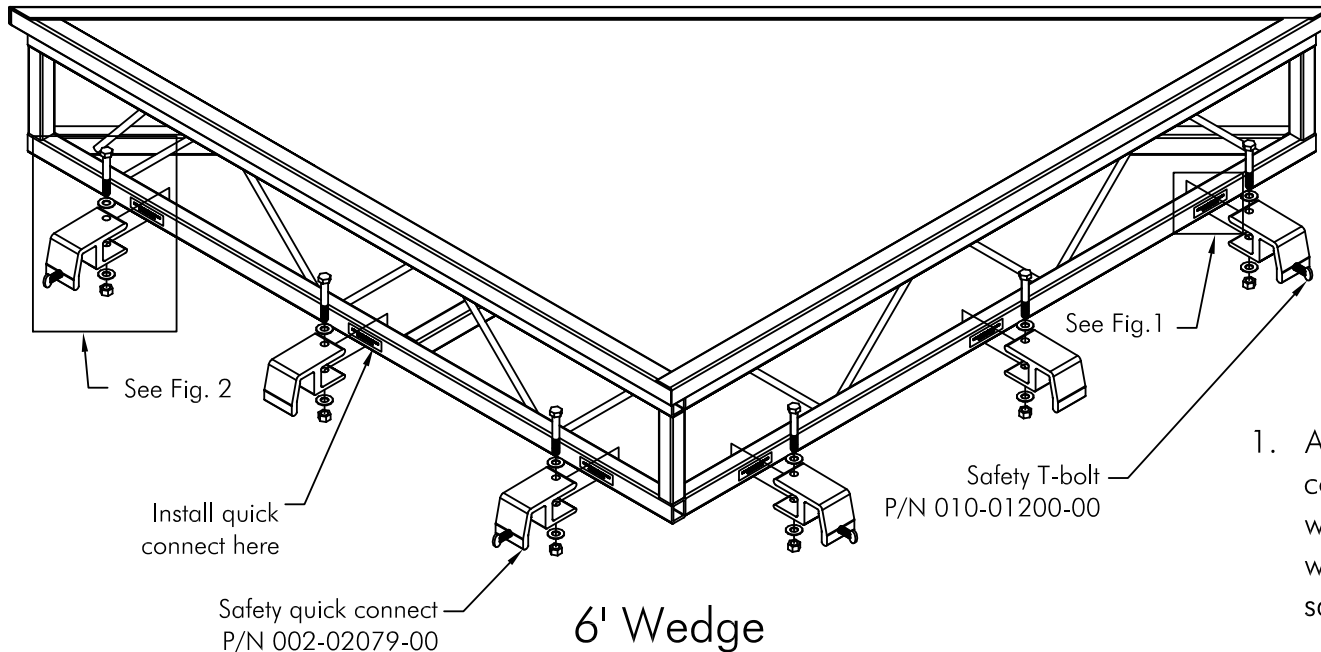


# FLOE Dock Wedge

## 6' Wedges Assembly Instructions



1. Attach quick connects as shown. Center quick connects on the locating decals attached to the wedge using the 2 1/2" bolt, nuts and flat washers provided. Note the location of the safety quick connects on each wedge.
2. 6' wedges use (2) regular quick connects and (4) safety quick connects.
3. Place wedge in corner of (2) dock sections with quick connects supporting wedge. Screw safety T-bolt in safety quick connect under the dock frame to lock wedge in place.

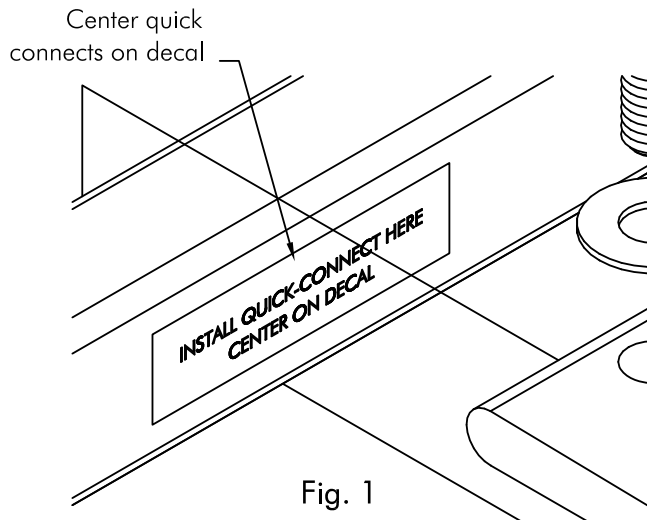


Fig. 1

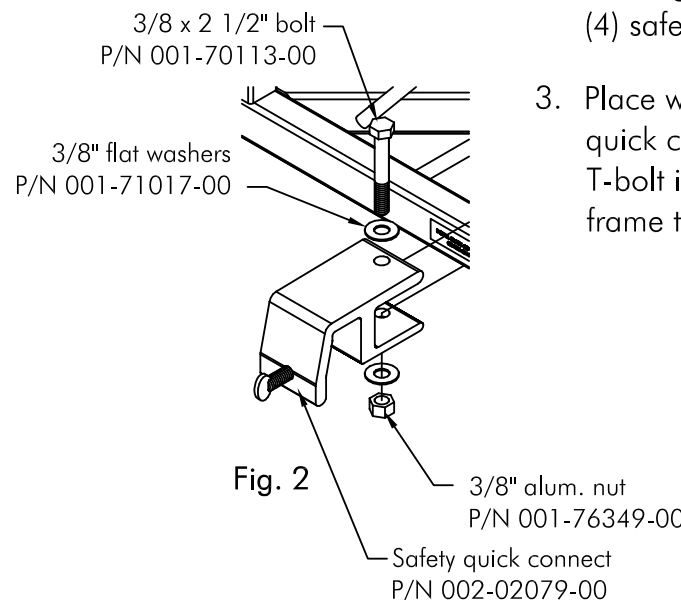


Fig. 2