

BENCH, ALUMA-GRAIN W/ARMREST
GRAY ALUM. W/ARMRESTS
FOR FLOATING DOCKS

P/N 510-41614-00, 510-41616-00
ASSEMBLY INSTRUCTIONS



- TOOLS REQUIRED**
- 7/16" SOCKET OR WRENCH
 - 9/16" WRENCH
 - TORQUE WRENCH
 - 7/32 ALLEN WRENCH

INSTRUCTION P/N 610-41614-00
ISSUED: 6/10/2011

Want the best? Go with the FLOE!

SHEET 1 OF 4

© Floe International, Inc.
48473 State Hwy. 65
McGregor, MN 55760
All rights reserved

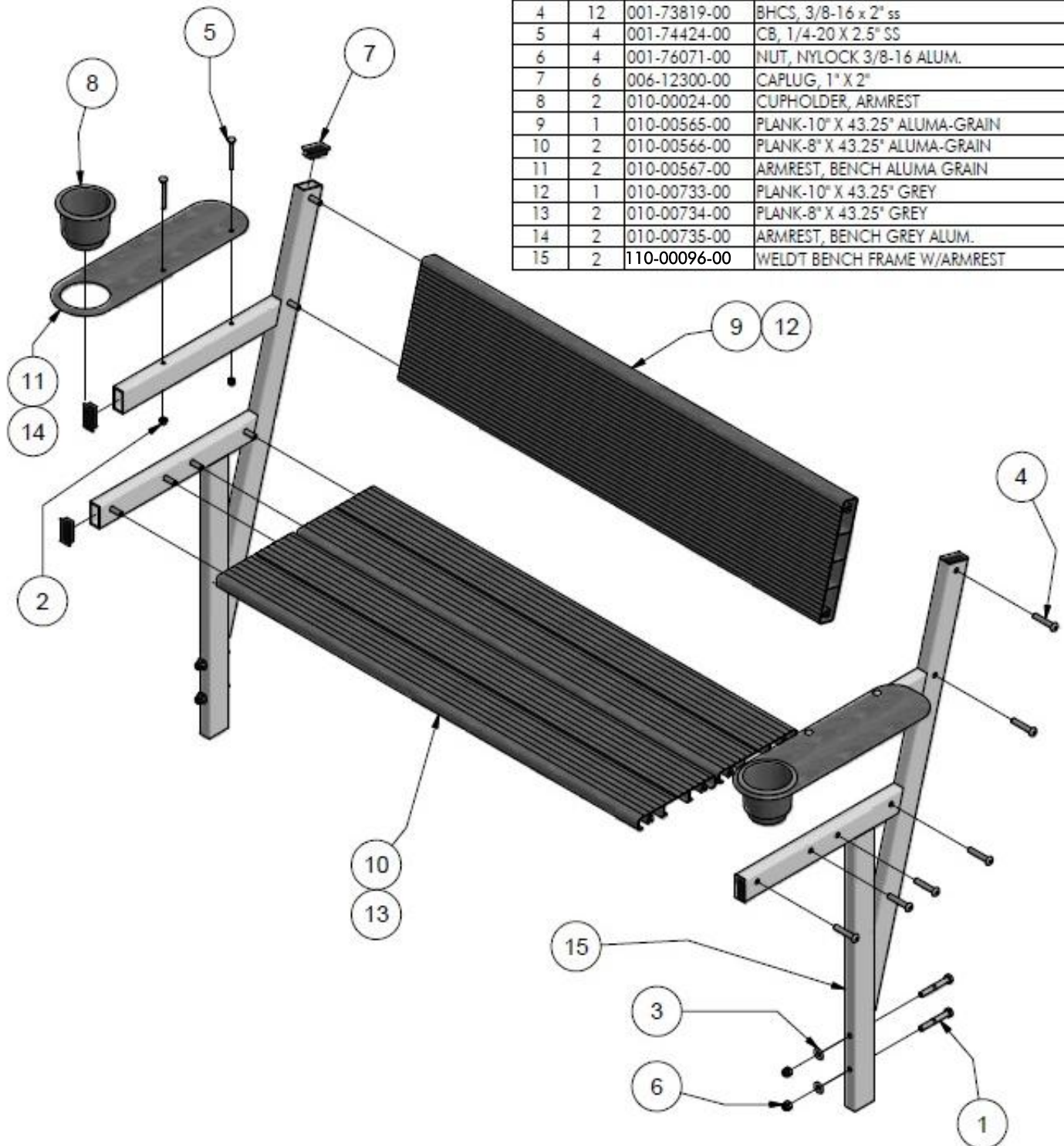
BENCH, ALUMA-GRAIN W/ARMRESTS

GRAY ALUM. W/ARMRESTS

FOR FLOATING DOCKS

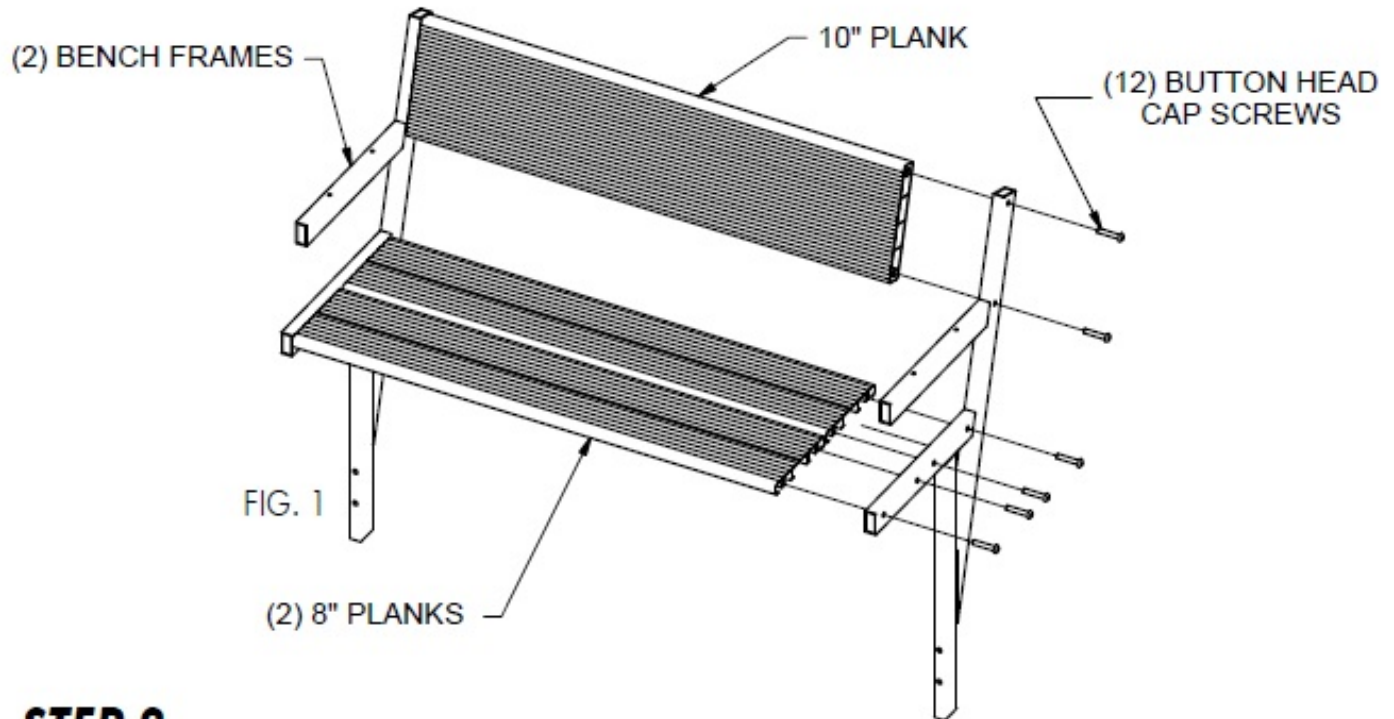
P/N 510-41614-00, 510-41616-00

ITEM	QTY	PART NUMBER	DESCRIPTION
1	4	001-70114-00	HHCS, 3/8-16 x 2 1/4" SS
2	4	001-70960-00	NUT, ACORN 1/4-20 SS
3	4	001-71017-00	FLAT WASHER, 3/8" SS
4	12	001-73819-00	BHCS, 3/8-16 x 2" SS
5	4	001-74424-00	CB, 1/4-20 X 2.5" SS
6	4	001-76071-00	NUT, NYLOCK 3/8-16 ALUM.
7	6	006-12300-00	CAPLUG, 1" X 2"
8	2	010-00024-00	CUPHOLDER, ARMREST
9	1	010-00565-00	PLANK-10" X 43.25" ALUMA-GRAIN
10	2	010-00566-00	PLANK-8" X 43.25" ALUMA-GRAIN
11	2	010-00567-00	ARMREST, BENCH ALUMA GRAIN
12	1	010-00733-00	PLANK-10" X 43.25" GREY
13	2	010-00734-00	PLANK-8" X 43.25" GREY
14	2	010-00735-00	ARMREST, BENCH GREY ALUM.
15	2	110-00096-00	WELDT BENCH FRAME W/ARMREST



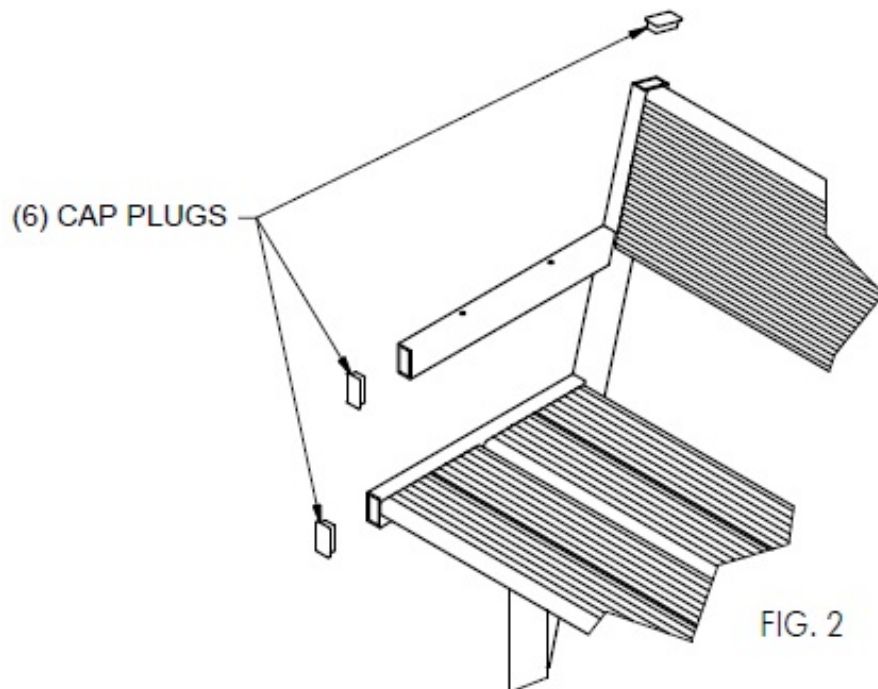
STEP 1

- FASTEN TOGETHER 10" PLANK TO BENCH FRAMES WITH (4) 2" BUTTON HEAD SCREWS FOR BACK REST.
- FASTEN TOGETHER BOTH 8" PLANKS TO BENCH FRAMES WITH (8) 2" BUTTON HEAD SCREWS FOR BENCH.
- TORQUE TO 10 FT/LBS. **WARNING: DO NOT OVER TIGHTEN.**



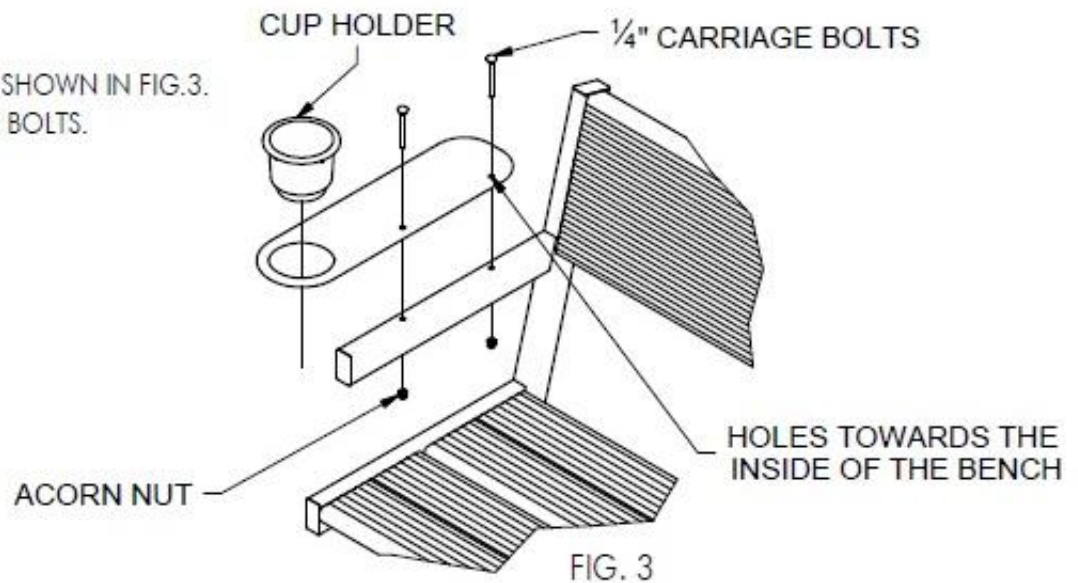
STEP 2

- INSTALL (6) CAP PLUGS INTO THE ENDS OF THE 1 X 2" TUBES ON BENCH FRAMES WHERE ILLUSTRATED, DO NOT INSTALL ANY ON THE BOTTOM TUBE.



STEP 3

- ATTACH THE ARMREST AS SHOWN IN FIG.3.
- (4) 1/4 X 2 1/2" CARRIAGE BOLTS.
- (4) 1/4" ACORN NUTS
- TORQUE TO 10 FT/LBS.



STEP 4

- INSERT 3/8" NYLOCK NUTS AND WASHERS INTO HOLES IN FLOATING DOCK FRAME. FIG. 4
- SLIDE DOWN TRACK TO APPROXIMATE DESIRED POSITION WHERE BENCH WILL BE MOUNTED.
- ALIGN BOLT HOLES IN BENCH WITH NUTS AND WASHERS.
- INSERT 3/8 X 2 3/4" BOLTS THROUGH BENCH AND WASHERS, THREAD INTO NUTS. FIG. 5
- ADJUST POSITION OF BENCH TO DESIRED LOCATION IF NECESSARY.
- TORQUE TO 30 FT/LBS.

