

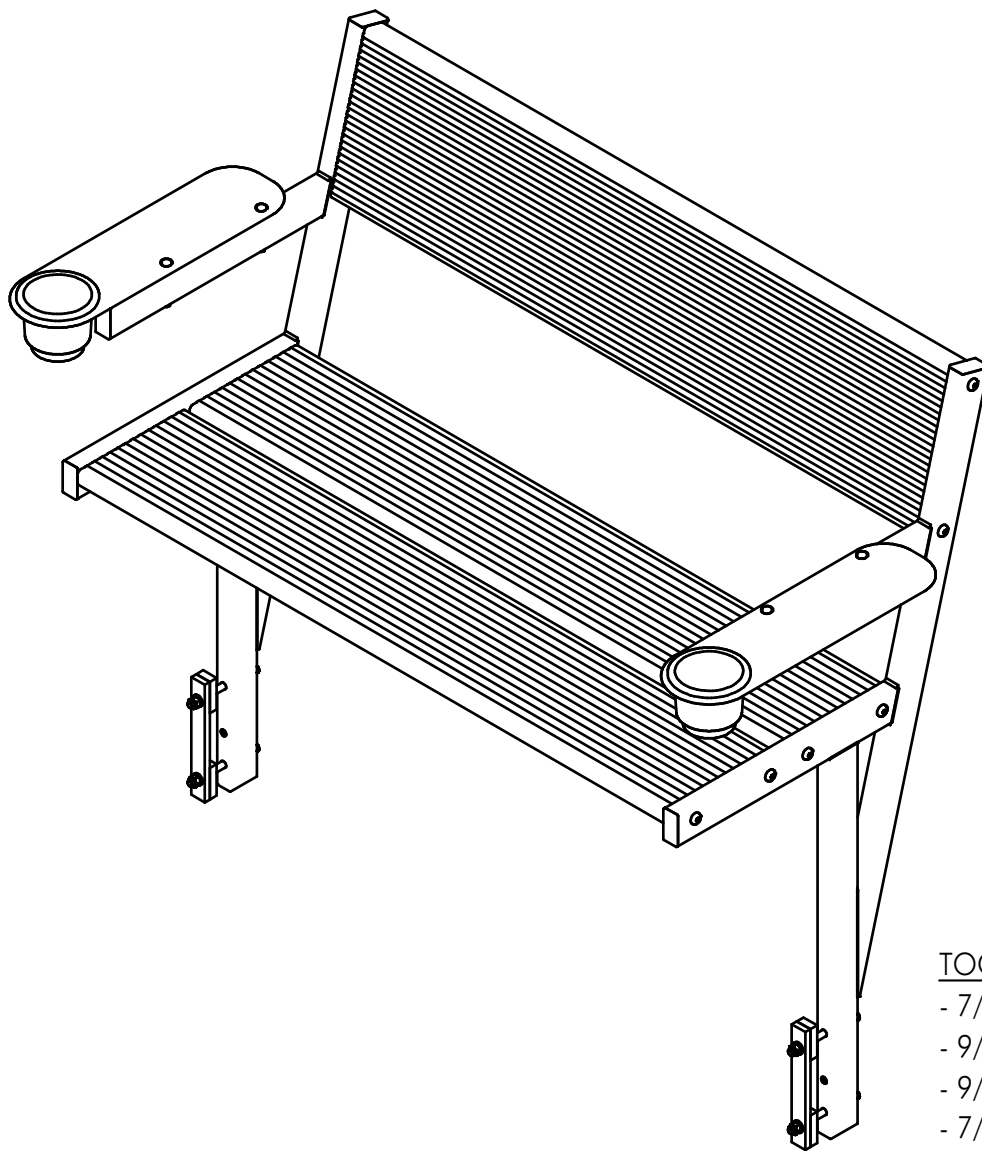
# **BENCH, ALUMA-GRAIN W/ARMREST, GRAY ALUM. W/ARMRESTS FOR ROLL-IN AND SECTIONAL DOCKS**

KIT P/N 510-41613-00

KIT P/N 510-41615-00

ASSEMBLY AND INSTALLATION

INSTRUCTIONS



## TOOLS REQUIRED

- 7/16" SOCKET OR WRENCH
- 9/16" SOCKET
- 9/16" WRENCH
- 7/32 ALLEN WRENCH
- TORQUE WRENCH
- TAPE MEASURE
- FRAMING SQUARE
- CENTER PUNCH
- HAMMER
- CORDLESS DRILL
- 13/32" DRILL BIT

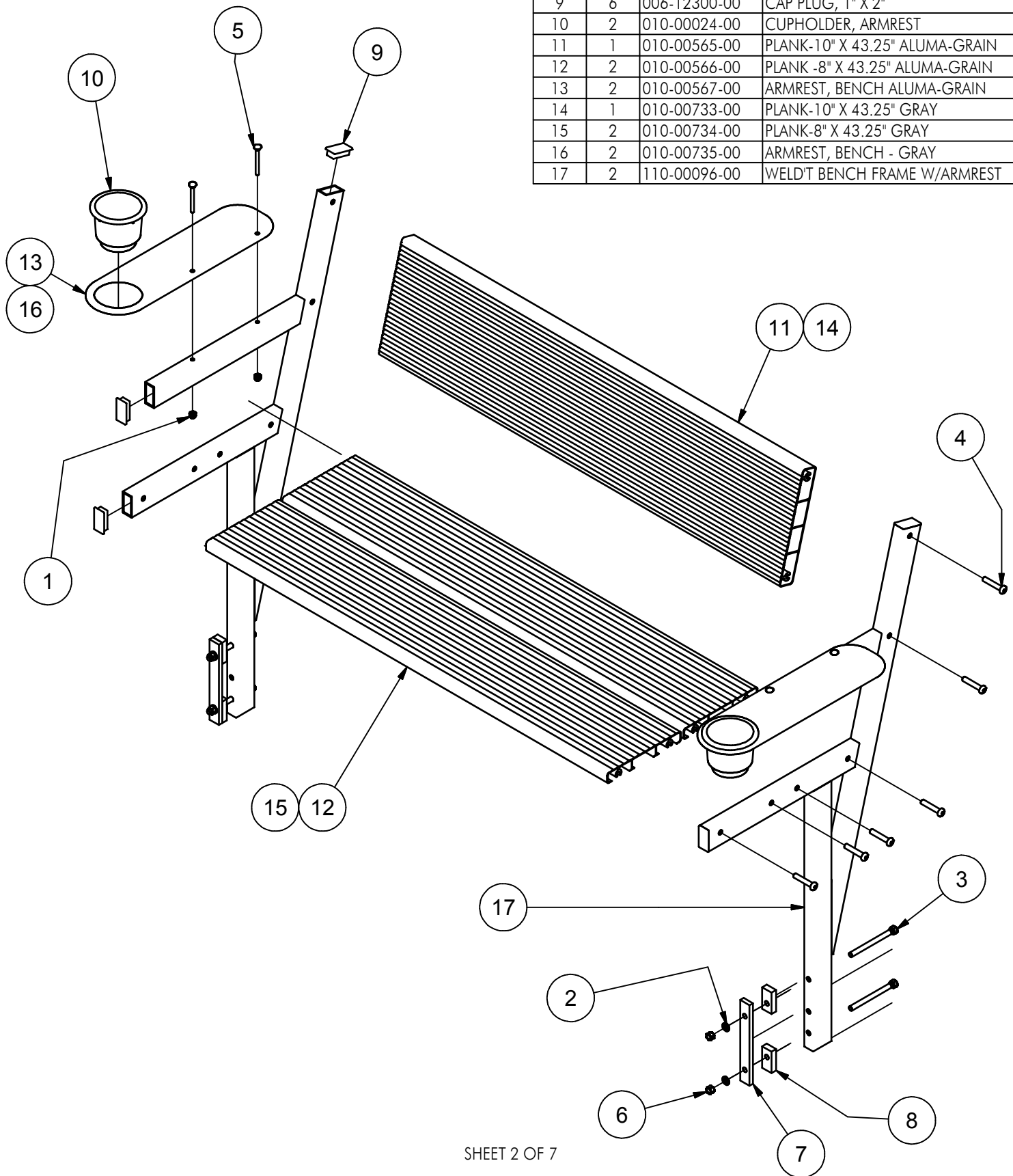
REQUIRED FOR  
ATTACHING TO  
A SECTIONAL  
DOCK

# PARTS LIST/EXPLODED VIEW

KIT P/N 510-41613-00

KIT P/N 510-41615-00

| ITEM | QTY | PART NUMBER  | DESCRIPTION                          |
|------|-----|--------------|--------------------------------------|
| 1    | 4   | 001-70960-00 | NUT, ACORN 1/4-20 SS                 |
| 2    | 4   | 001-71067-00 | LOCK WASHER, 3/8" SS                 |
| 3    | 4   | 001-72940-00 | HHCS, 3/8-16 X 4 1/2" FULL THREAD SS |
| 4    | 12  | 001-73819-00 | BHCS, 3/8-16 X 2" SS                 |
| 5    | 4   | 001-74424-00 | CB, 1/4-20 X 2 1/2" SS               |
| 6    | 4   | 001-76349-00 | NUT 3/8" ALUMINUM                    |
| 7    | 2   | 002-02203-00 | PLATE, DOCK ACCESSORY                |
| 8    | 4   | 002-02204-00 | SPACER, DOCK ACCESSORY               |
| 9    | 6   | 006-12300-00 | CAP PLUG, 1" X 2"                    |
| 10   | 2   | 010-00024-00 | CUPHOLDER, ARMREST                   |
| 11   | 1   | 010-00565-00 | PLANK-10" X 43.25" ALUMA-GRAIN       |
| 12   | 2   | 010-00566-00 | PLANK -8" X 43.25" ALUMA-GRAIN       |
| 13   | 2   | 010-00567-00 | ARMREST, BENCH ALUMA-GRAIN           |
| 14   | 1   | 010-00733-00 | PLANK-10" X 43.25" GRAY              |
| 15   | 2   | 010-00734-00 | PLANK-8" X 43.25" GRAY               |
| 16   | 2   | 010-00735-00 | ARMREST, BENCH - GRAY                |
| 17   | 2   | 110-00096-00 | WELD'T BENCH FRAME W/ARMREST         |



# ASSEMBLY INSTRUCTIONS FOR ROLL-IN AND SECTIONAL DOCKS

KIT P/N 510-41613-00

KIT P/N 510-41615-00

## STEP 1

- FASTEN 10" BACK REST PLANK TO BENCH FRAMES WITH (4) 3/8" X 2" BUTTON HEAD SCREWS AS SHOWN IN FIG. 1.
- FASTEN BOTH 8" SEAT PLANKS TO BENCH FRAMES WITH (8) 3/8" X 2" BUTTON HEAD SCREWS AS SHOWN IN FIG. 1.
- TORQUE TO 10 FT/LBS. **WARNING: DO NOT OVER TIGHTEN**

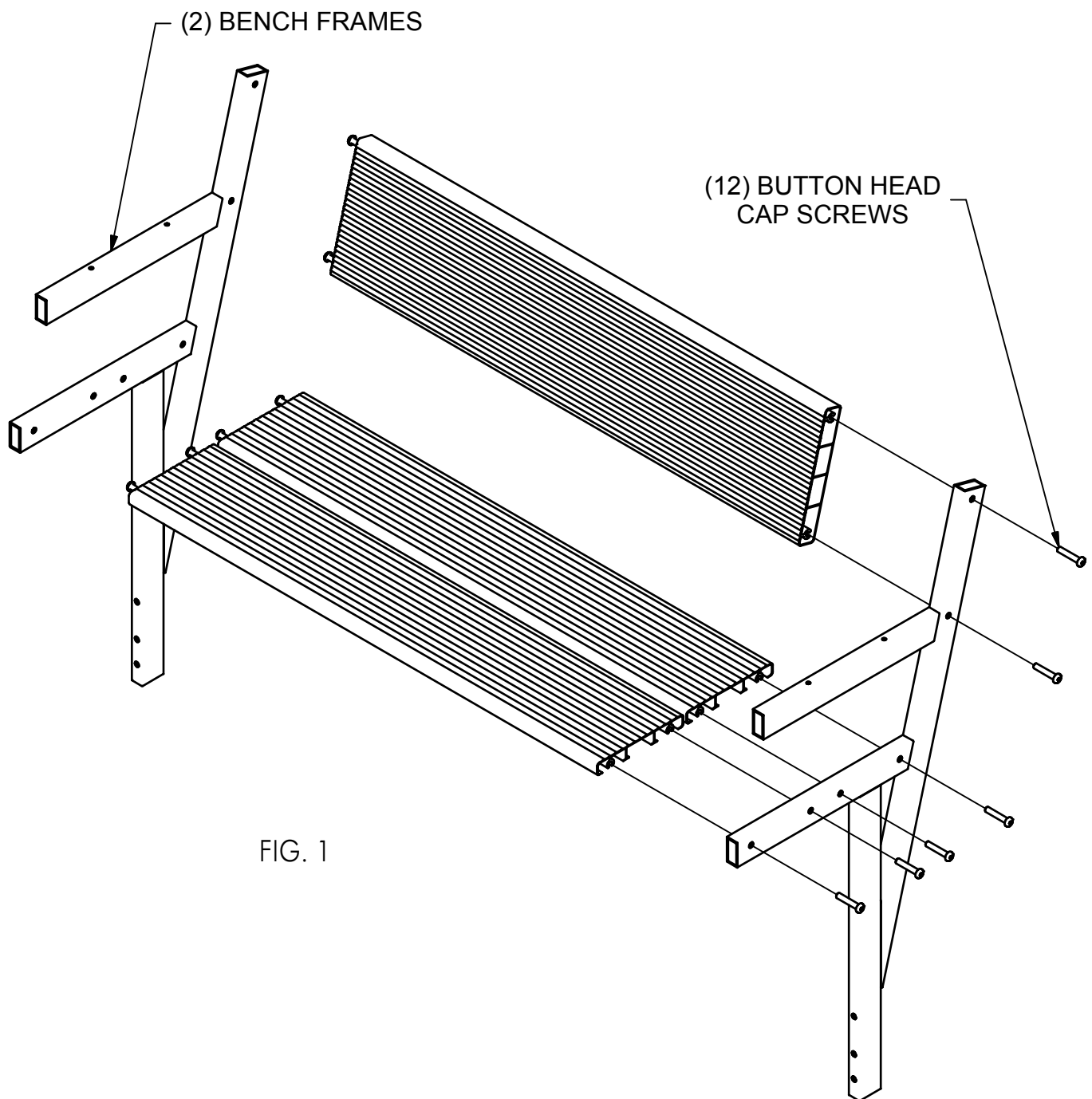


FIG. 1

## STEP 2

- INSTALL (6) CAP PLUGS INTO THE ENDS OF THE 1 X 2" TUBES ON BENCH FRAMES WHERE ILLUSTRATED IN DETAIL A.
- DO NOT USE ON THE BENCH LEGS.

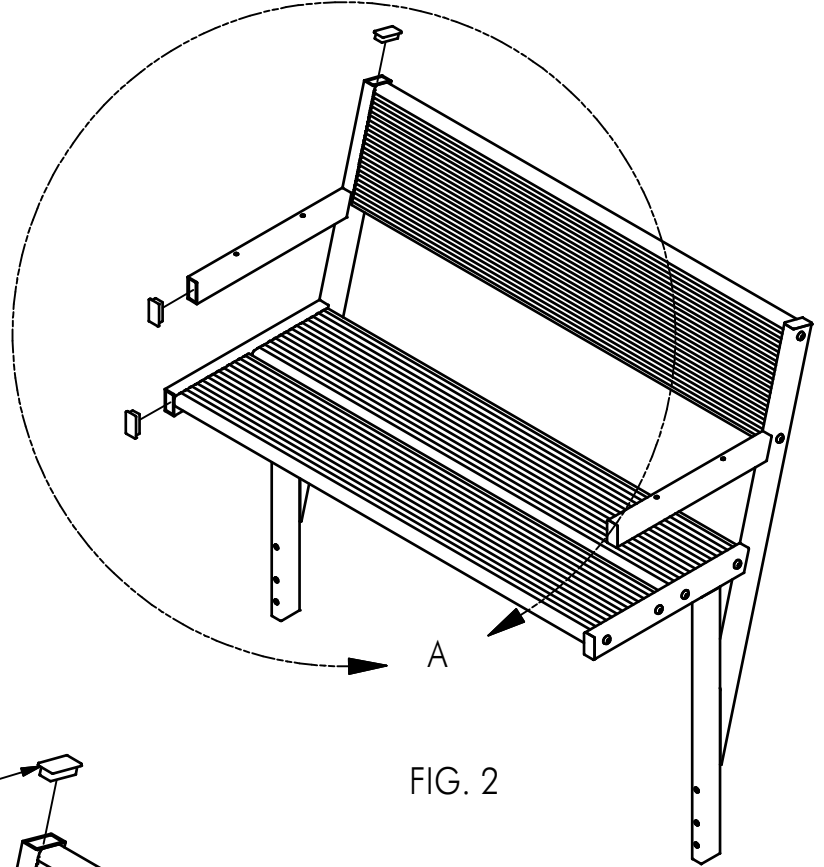
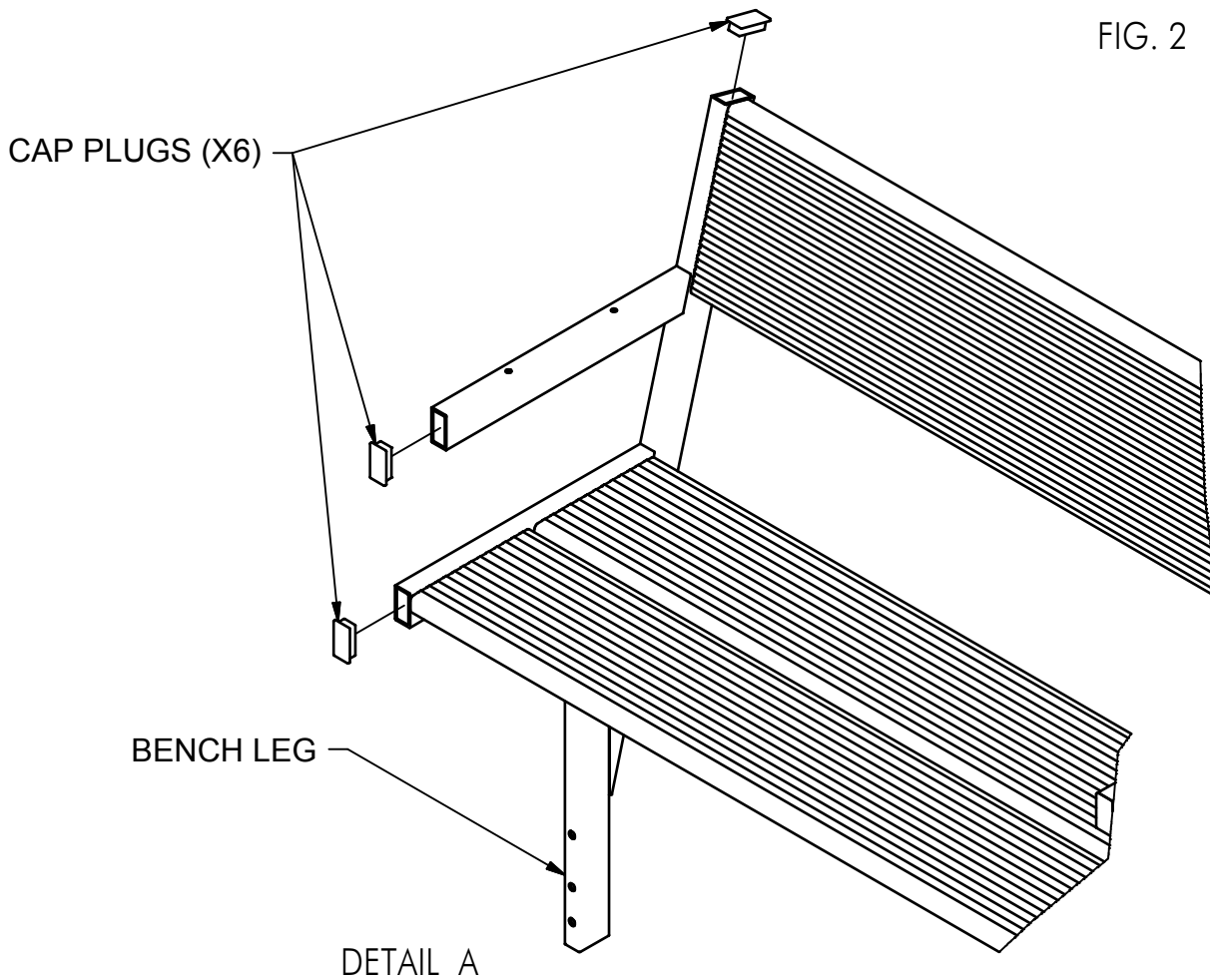


FIG. 2



### STEP 3

- ATTACH THE ARMREST AS SHOWN IN DETAIL B.
- (4) 1/4 X 2 1/2" CARRIAGE BOLTS.
- (4) 1/4" ACORN NUTS
- TORQUE TO 10 FT/LBS.

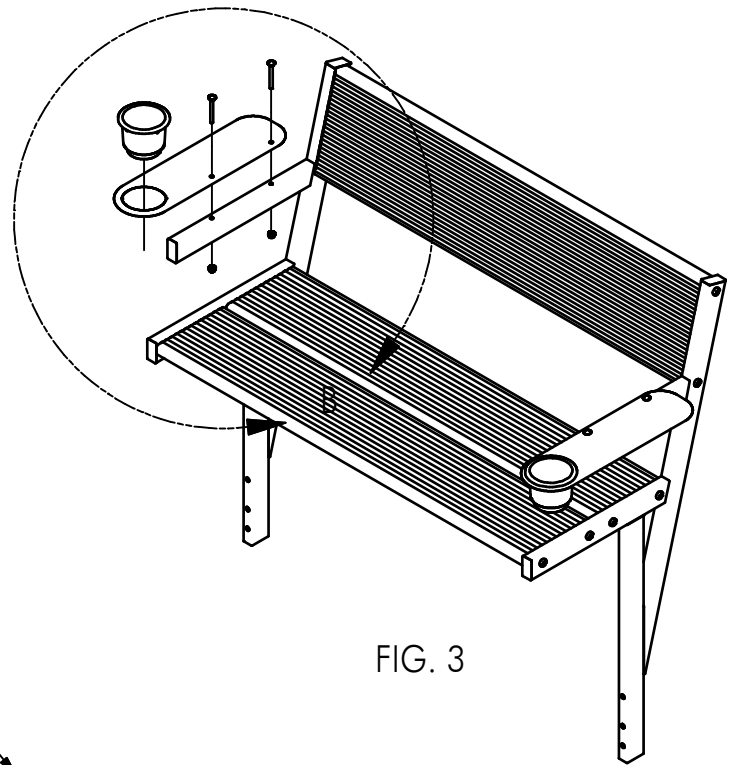
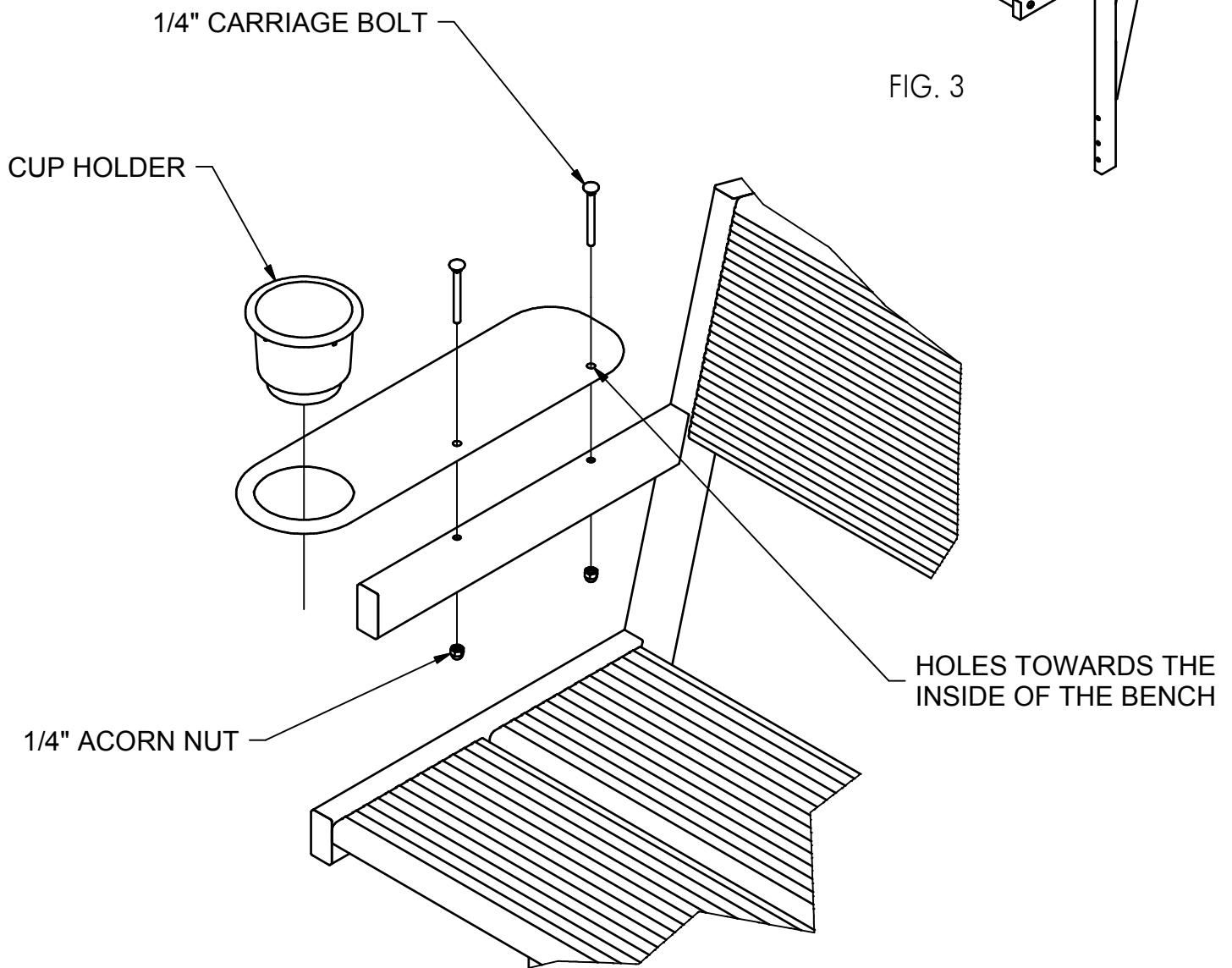


FIG. 3



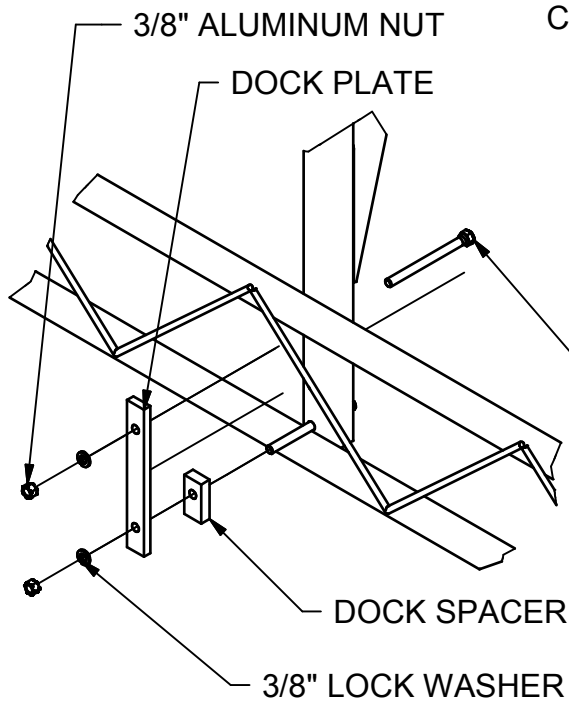
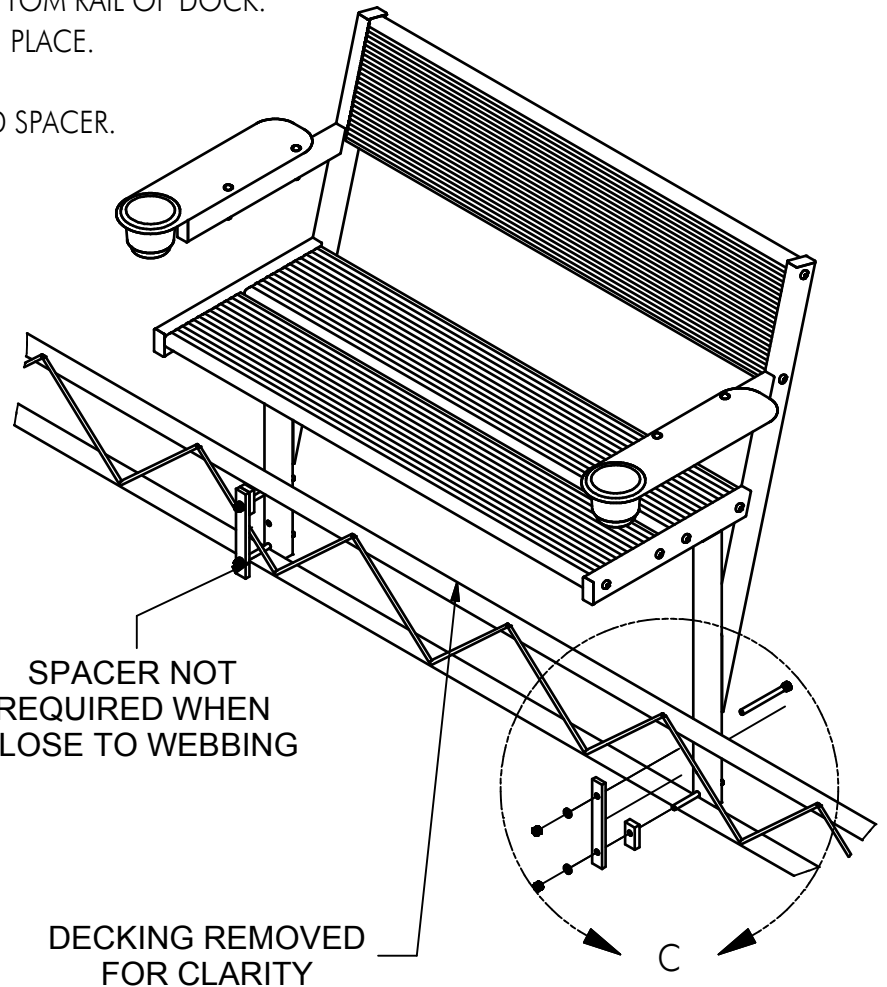
DETAIL B

# INSTALLATION INSTRUCTIONS FOR FOR ROLL-IN DOCKS

KIT P/N 510-41613-00

KIT P/N 510-41615-00

- INSERT 3/8" X 4 1/2" BOLTS INTO (4) HOLES ON BENCH.
- SET BENCH SO BOTTOM BOLT RESTS ON BOTTOM RAIL OF DOCK.
- RECOMMENDED THAT YOU CLAMP BENCH IN PLACE.
- SLIDE 1 SPACER OVER EACH BOLT.  
IF BOLT IS CLOSE TO WEBBING, DO NOT ADD SPACER.
- SLIDE DOCK PLATE OVER BOLTS.
- SLIDE 3/8" LOCK WASHERS OVER BOLTS.
- INSTALL 3/8" ALUMINUM NUT.
- TORQUE TO 25 FT/LBS.



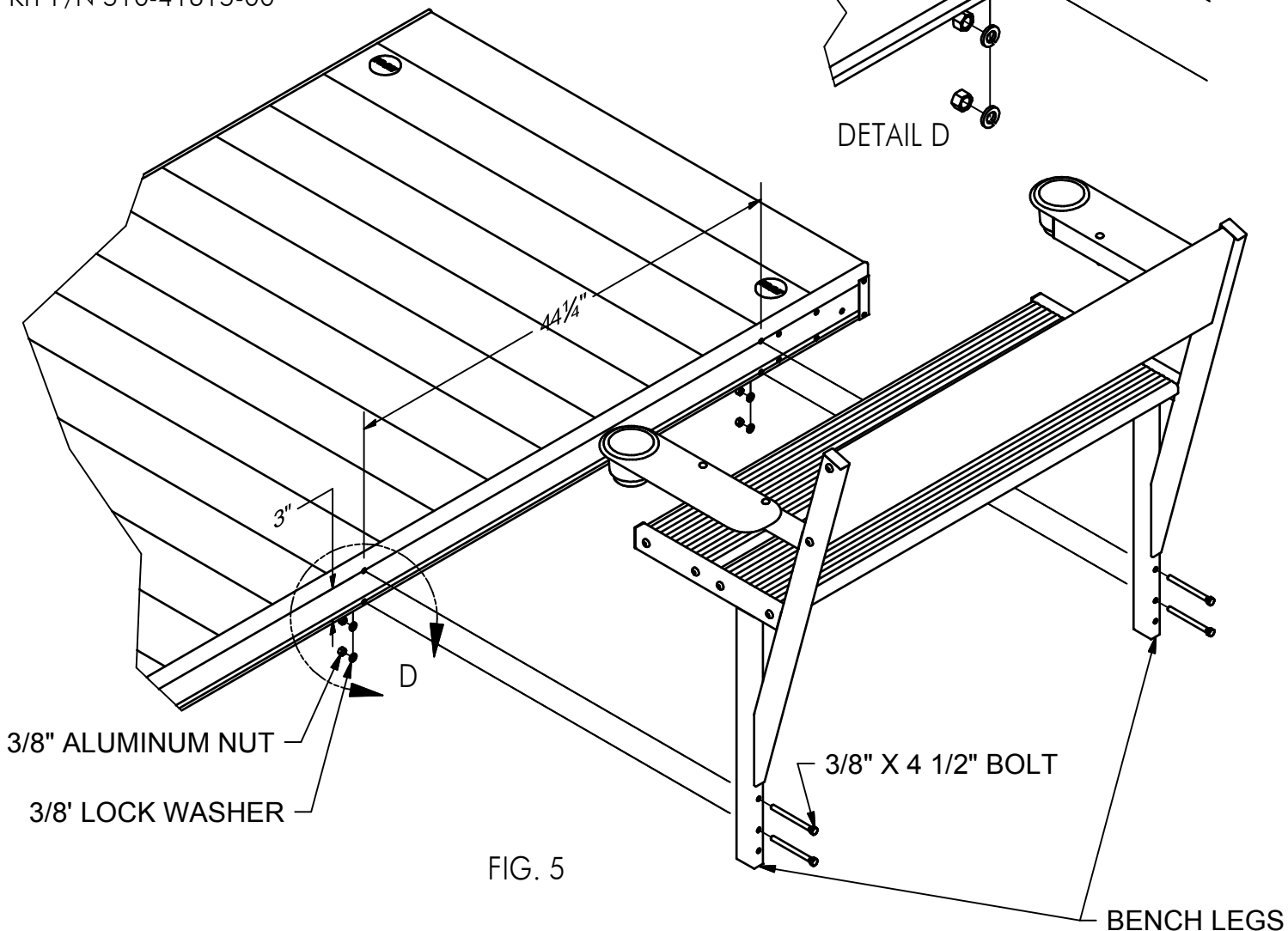
DETAIL C

3/8" X 4 1/2" BOLT

# INSTALLATION INSTRUCTIONS FOR SECTIONAL DOCKS

KIT P/N 510-41613-00

KIT P/N 510-41615-00



## SECTIONAL DOCKS

-FOR ATTACHMENT TO SECTIONAL DOCKS, MOUNTING HOLES MUST BE DRILLED USING A 13/32" DRILL BIT. AFTER DETERMINING THE LOCATION OF THE BENCH, USE A FRAMING SQUARE AND MARK A VERTICAL LINE ACROSS THE TOP AND BOTTOM SERRATION (THESE SERRATIONS ARE 3" APART AND ARE INTENDED TO ACT AS A HOLE SPACING REFERENCE; REFER TO DETAIL D). MARK A SECOND LINE 44 1/4" FROM THE FIRST AS SHOWN IN FIGURE 5. USE THE HAMMER AND CENTER PUNCH TO MAKE A DIMPLE FOR THE DRILL BIT. THIS HELPS TO PREVENT THE DRILL FROM WANDERING DURING THE DRILLING PROCESS. KEEP THE DRILL BIT PERPENDICULAR TO THE DOCK FRAME WHILE DRILLING. INSERT (4) 3/8" X 4 1/2" BOLTS THROUGH THE BENCH LEGS AND THE DOCK SIDE. PLACE (4) 3/8" LOCK WASHER AND (4) 3/8" ALUMINUM NUTS ON THE BOLTS AND TORQUE TO 25 FT/LBS., MAKING SURE THE BENCH IS SQUARE TO THE DOCK.