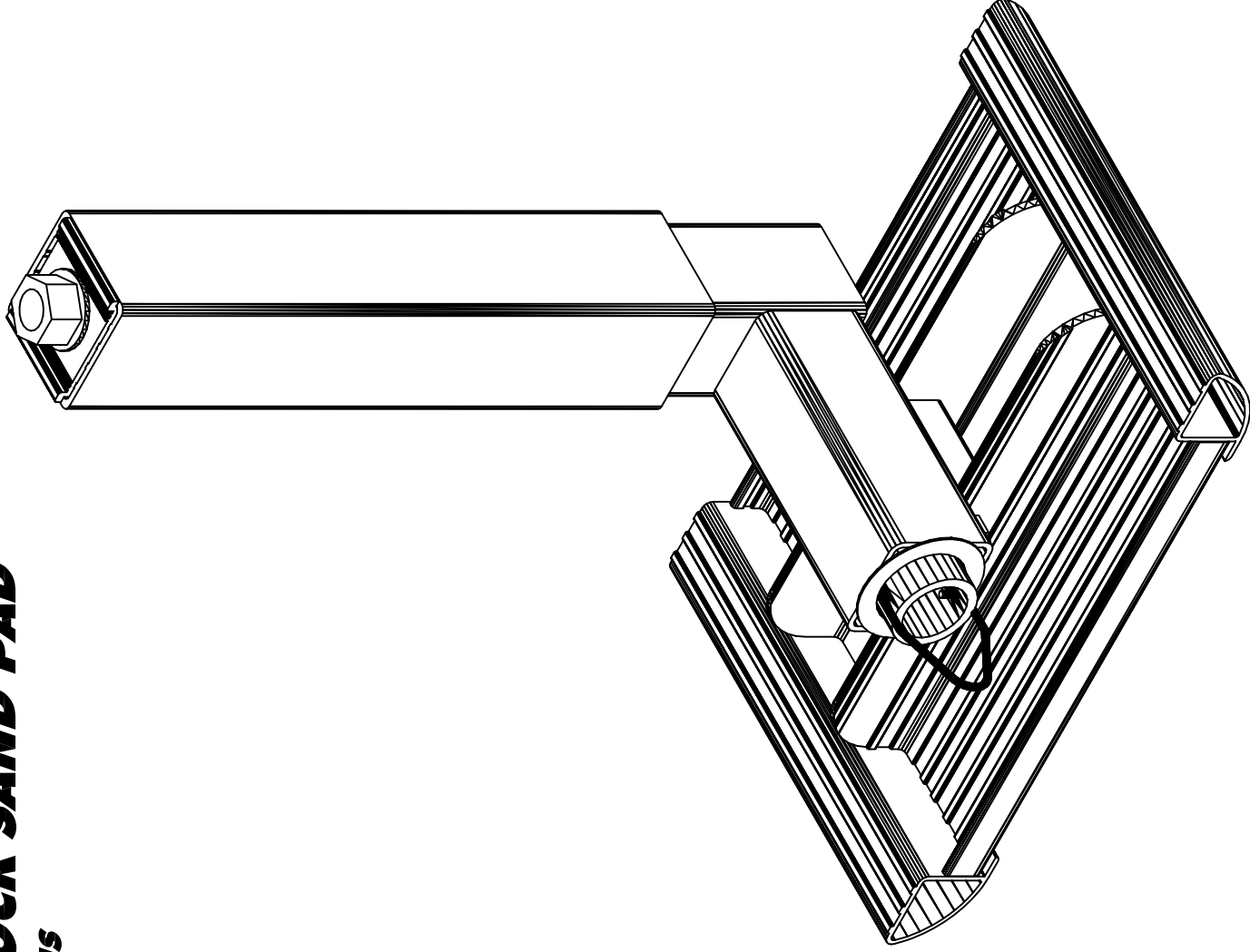


STATIONARY DOCK SAND PAD
ASSEMBLY INSTRUCTIONS
510-17000-00



Most Installations -
No Tools Required

If your wheel kits are
prior to 2001 a drill
and a 7/32" bit is
required.



STATIONARY DOCK SAND PAD

Exploded View

NO.	PART NO.	QTY.	DESCRIPTION
1	001-70218-00	1	HHCS, 1/2-13 x 3 3/4" 18-8 SS
2	001-76072-00	1	NUT, NYLOCK 1/2-13 ALUMINUM
3	006-10013-00	1	TUBE, POLY 2" O.D. 1.75" I.D.
4	110-17000-00	1	WELDMENT, DOCK SAND PAD MOUNT
5	111-00000-00	1	WELDMENT, SAND PAD

Note:

IF YOU HAVE WHEEL KITS THAT ARE PRIOR TO 2001 YOU MAY HAVE TO DRILL AN ADDITIONAL 7/32" HOLE 1/4" BEYOND THE EXISTING HOLE ON THE OUTER END OF THE LEG SPINDLE .

Step 1

- SLIDE SAND PAD ASSEMBLY ON LEG SPINDLE.
- SLIP WASHER OVER SPINDLE.
- INSERT CLIP INTO HOLES IN END OF SPINDLE.

