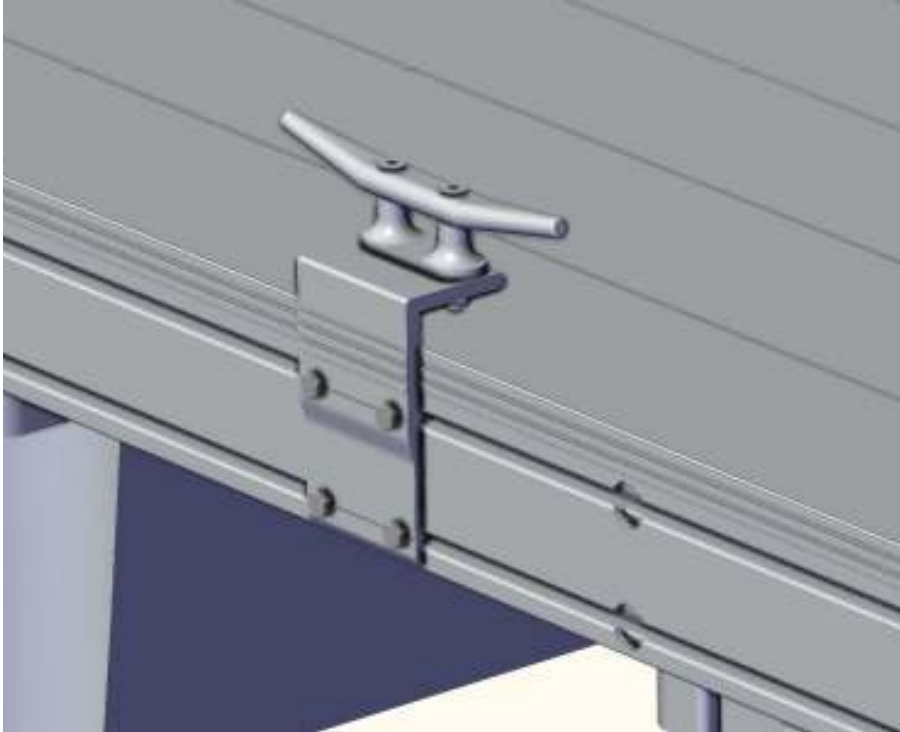
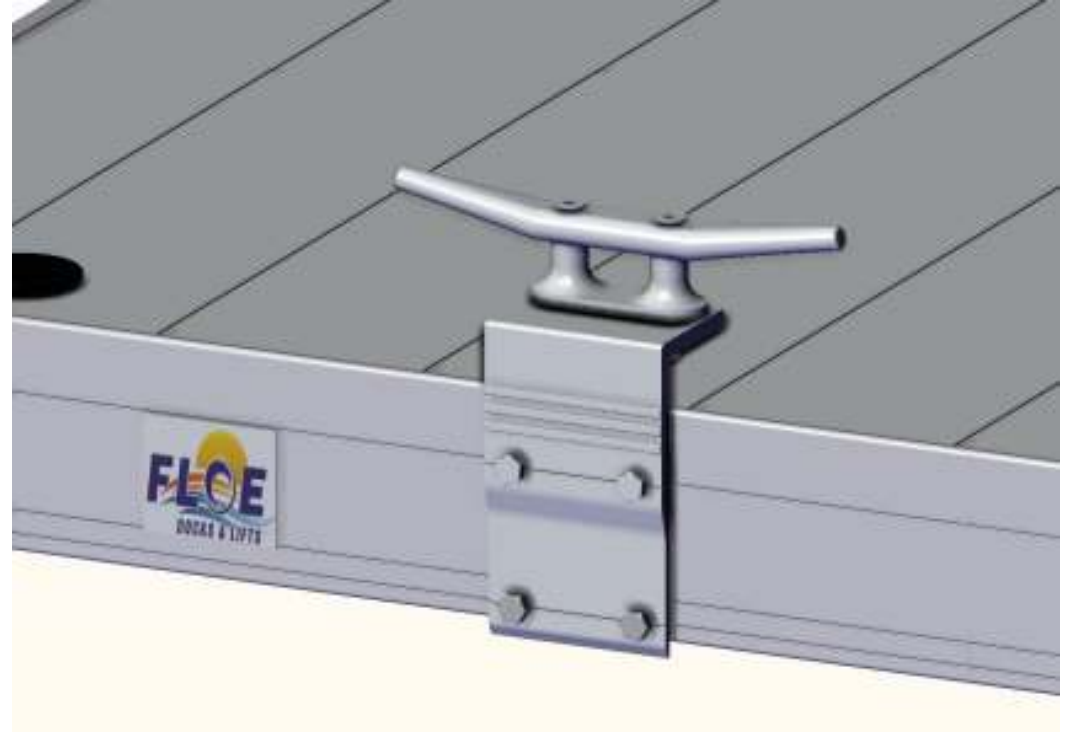


FLOE FLOATING/SECTIONAL DOCK CLEAT ASSEMBLY
ASSEMBLY INSTRUCTIONS
P/N 510-05360-00



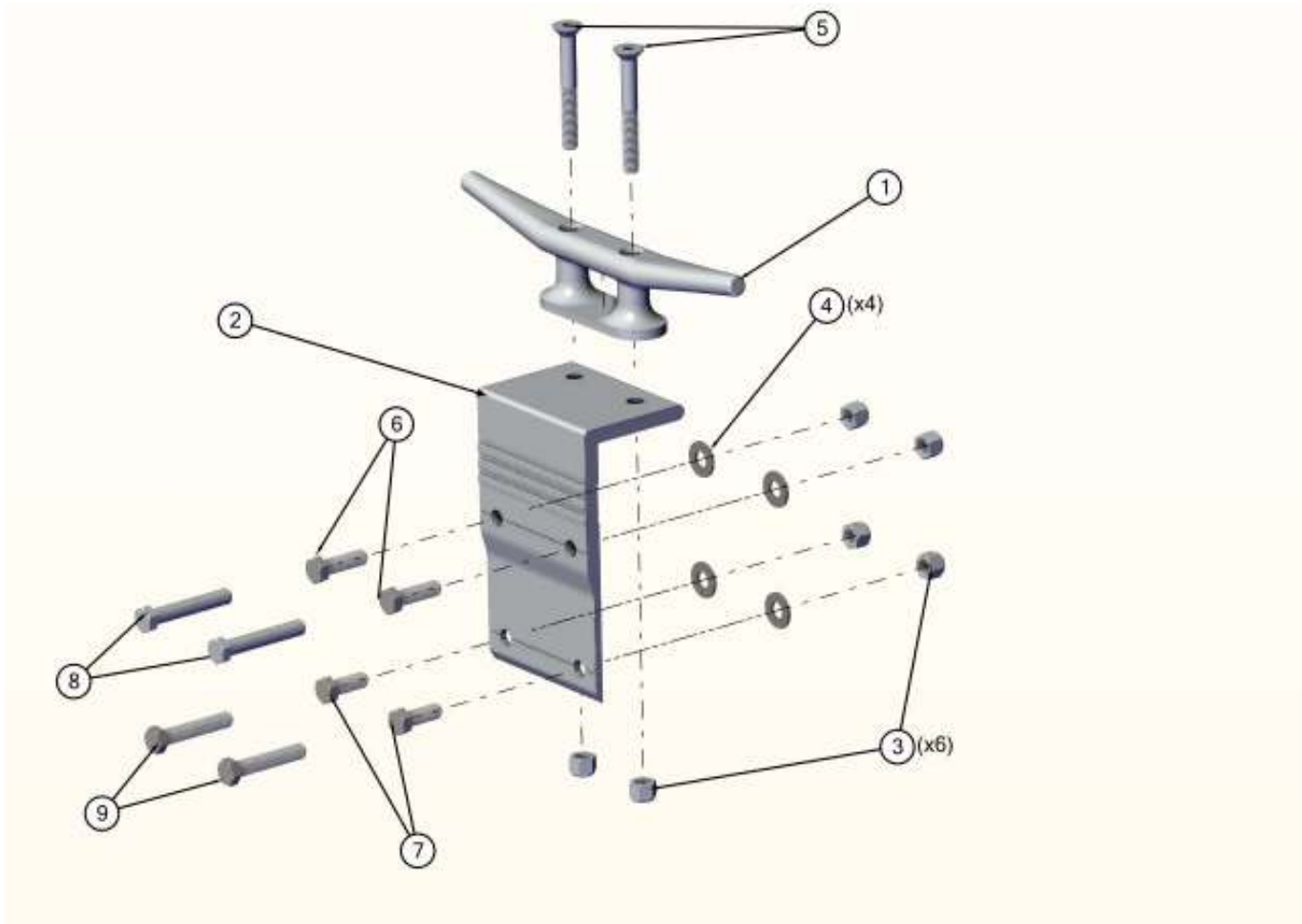
TOOLS REQUIRED (FLOATING)
9/16" SOCKET OR WRENCH
TORQUE WRENCH



TOOLS REQUIRED (SECTIONAL)
9/16" SOCKET OR WRENCH
FRAMING SQUARE
MARKER
DRILL W/ 13/32" BIT
TORQUE WRENCH

CLEAT ASSEMBLY EXPLODED VIEW

P/N 510-05360-00



NO.	PART NO.	QTY	DESCRIPTION
1	510-34300-00	1	DOCK CLEAT, CAST ALUMINUM
2	002-02532-00	1	ANGLE, DOCK CLEAT - 4"
3	001-76071-00	6	NUT, NYLOCK 3/8-16 ALUMINUM
4	001-71017-00	4	FLATWASHER, 3/8" SAE ss 18-8
5	001-73939-00	2	FHCS, 3/8-16 x 3" 18-8 ss
6	001-70107-00	2	HHCS, 3/8-16 x 1 1/4" 18-8 ss (FLOATING ONLY)
7	001-70105-00	2	HHCS, 3/8-16 x 1" 18-8 ss (FLOATING ONLY)
8	001-70112-00	2	HHCS, 3/8-16 x 2 1/4" 18-8 ss (SECTIONAL ONLY)
9	001-70111-00	2	HHCS, 3/8-16 x 2" 18-8 ss (SECTIONAL ONLY)

Floating Dock Installation Instructions

STEP 1

Insert (2) 3/8" nylock nuts and (2) flatwashers into each of the nut tracks through the holes provided and adjust to the desired position see Fig 1.

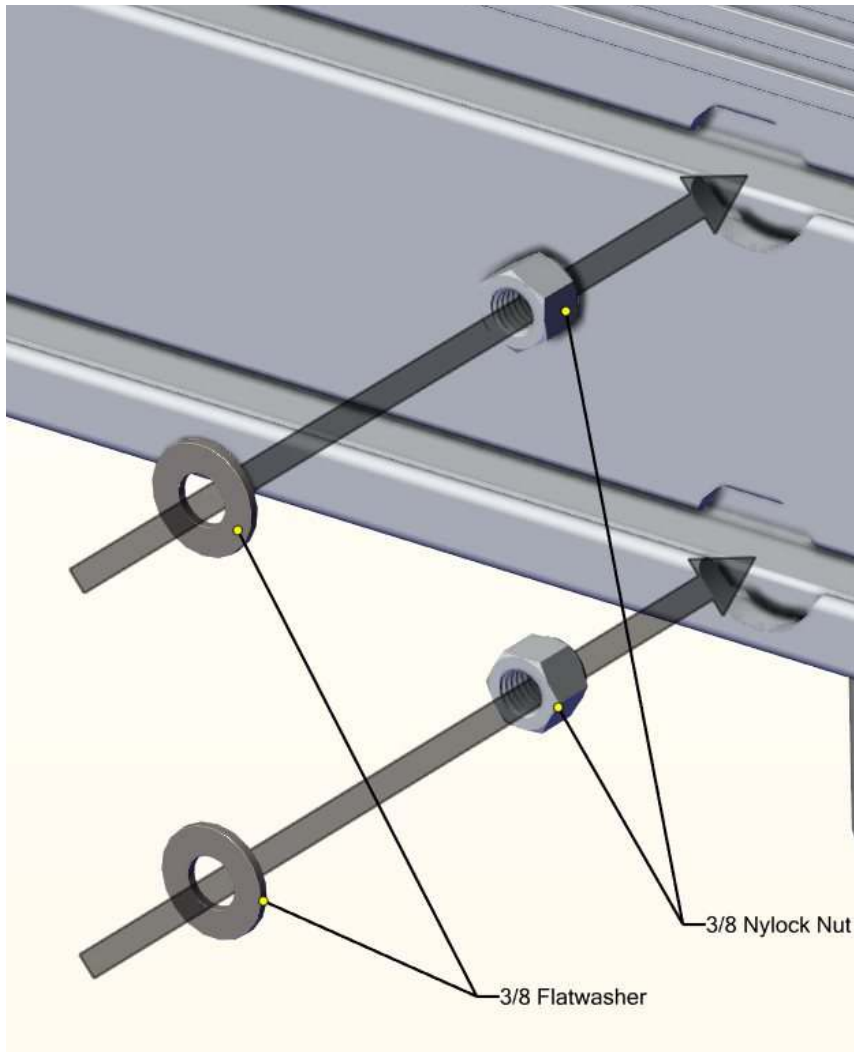


FIG. 1

STEP 2

Insert (2) 3/8" x 1 1/4" bolts in the top holes and (2) 3/8" x 1" bolts in the bottom holes of the angle bracket, align the bolts with the corresponding nylock nuts and flatwashers previously installed. Adjust to the desired location. Torque to 40 ft/lbs. See Fig 2.

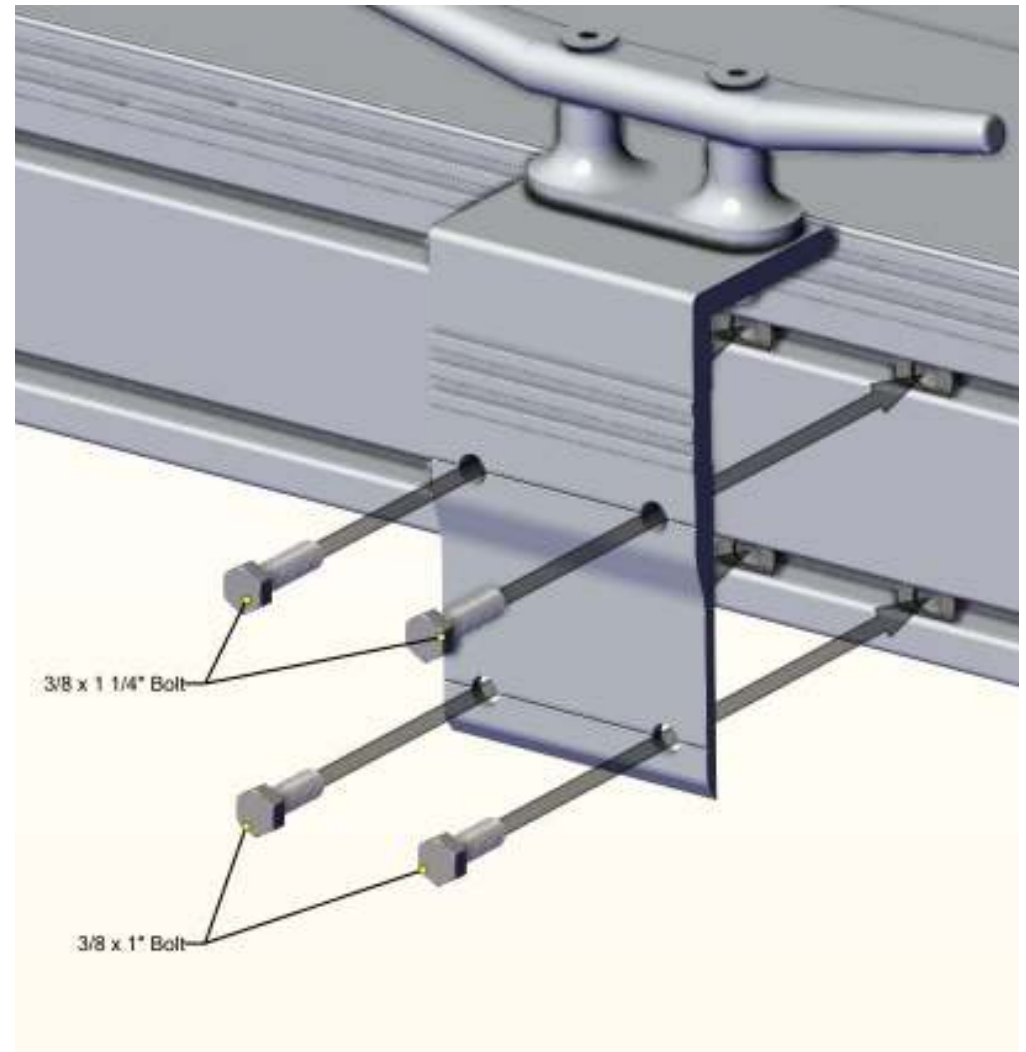


FIG. 2

Sectional Dock Installation Instructions

STEP 1

Determine the placement of the Cleat. Using a framing square mark a vertical line across the top and bottom serration at the desired location of the left two bolt holes (these serrations are 3" apart and are intended to act as a hole spacing reference).

Mark a second line 2 3/4" from the first. Use a hammer and punch to make a dimple for the drill bit at the intersections of the top and bottom serrations and the vertical lines See Fig 3. This helps to prevent the drill from wandering while drilling. Drill (4) 13/32" holes. Keep the drill bit perpendicular to the dock frame while drilling.

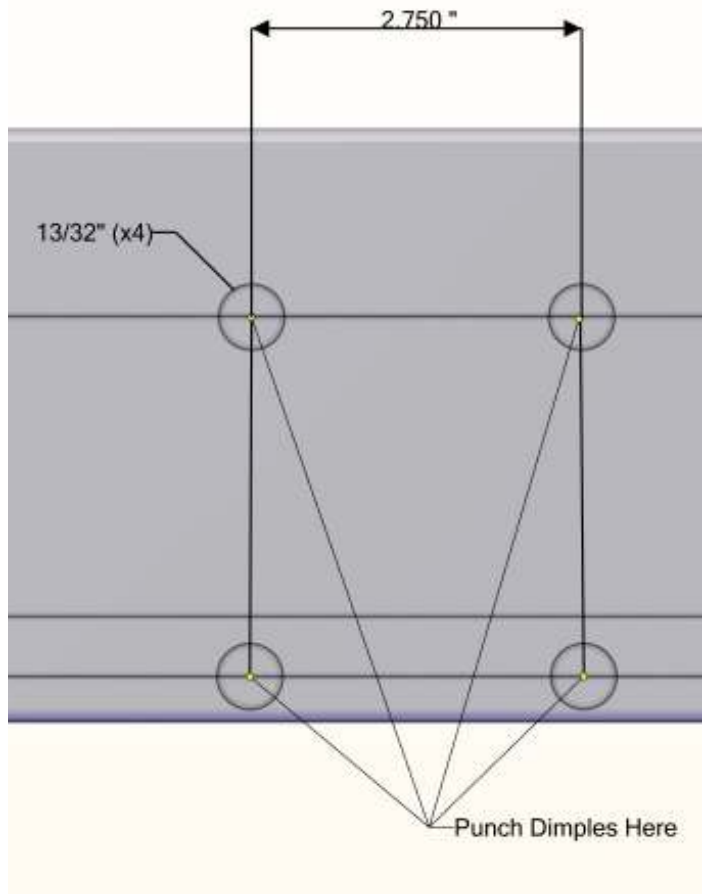


FIG. 3

STEP 2

Insert (2) 3/8" x 2 1/4" bolts in the top holes and (2) 3/8" x 2" bolts in the bottom holes of the angle bracket and insert through the side of the dock. Place (4) flatwashers over the bolts and thread on (4) nylock nuts. Torque to 40 ft/lbs. See Fig 4.

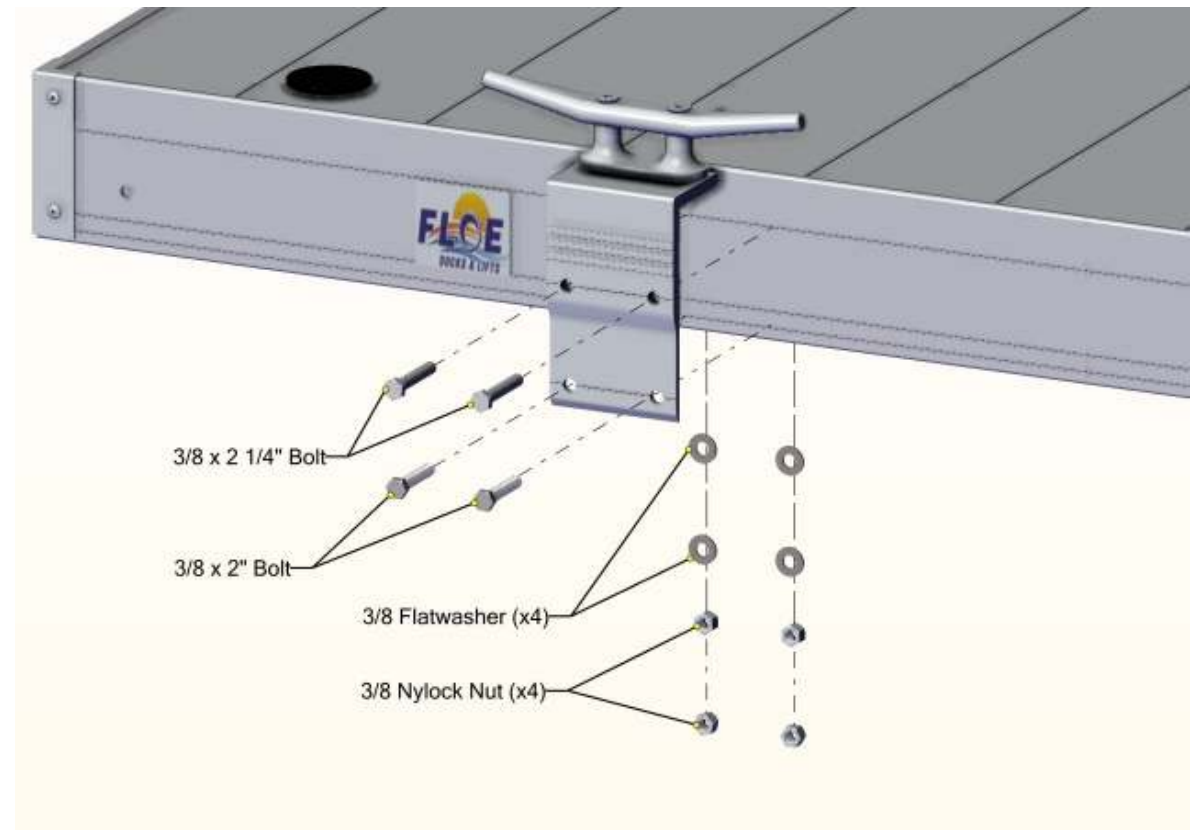


FIG. 4