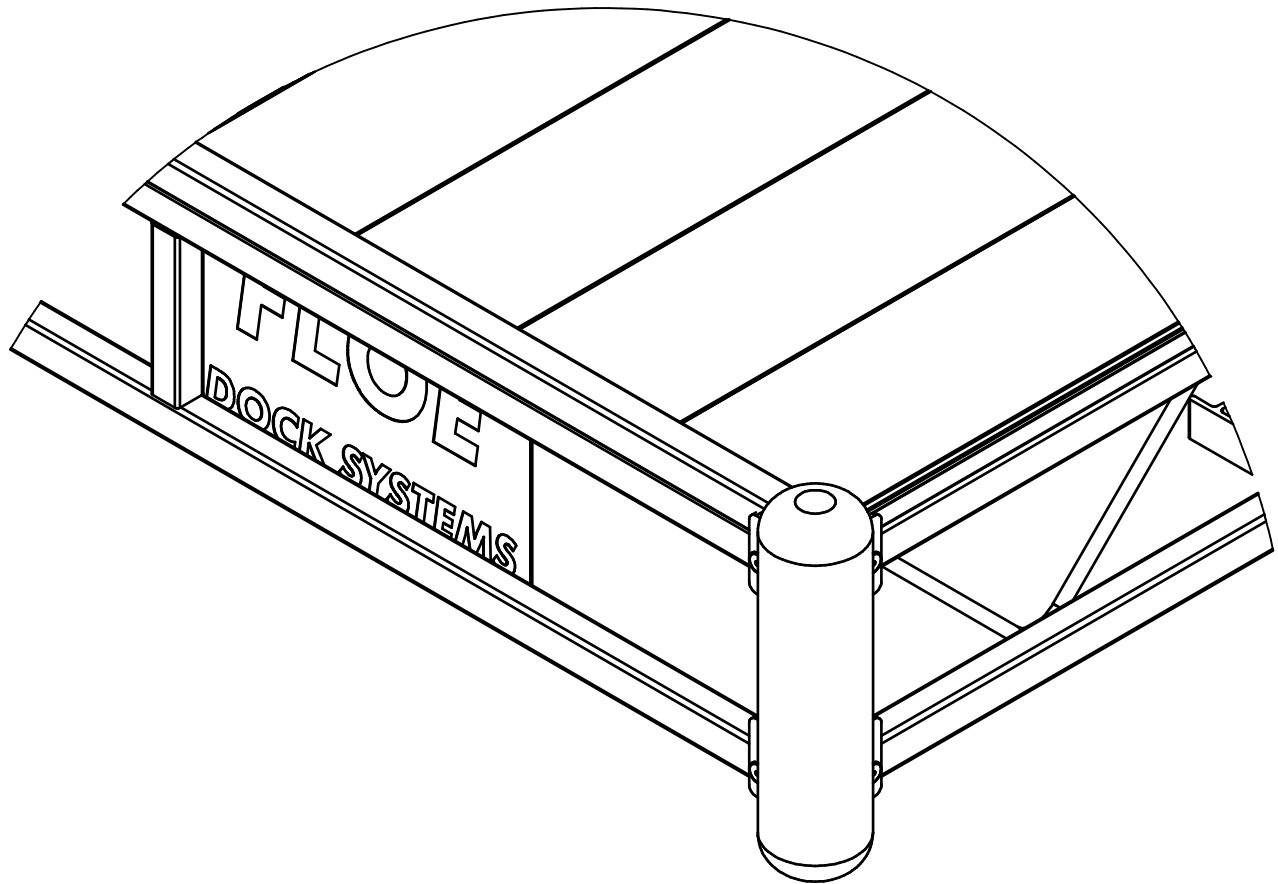


# FLOE PREMIUM CORNER BUMPER (GREY)

## ASSEMBLY INSTRUCTIONS

KIT P/N 510-04101-00



### TOOLS REQUIRED

- CORDLESS DRILL
- #9 DRILL BIT
- RIVET TOOL

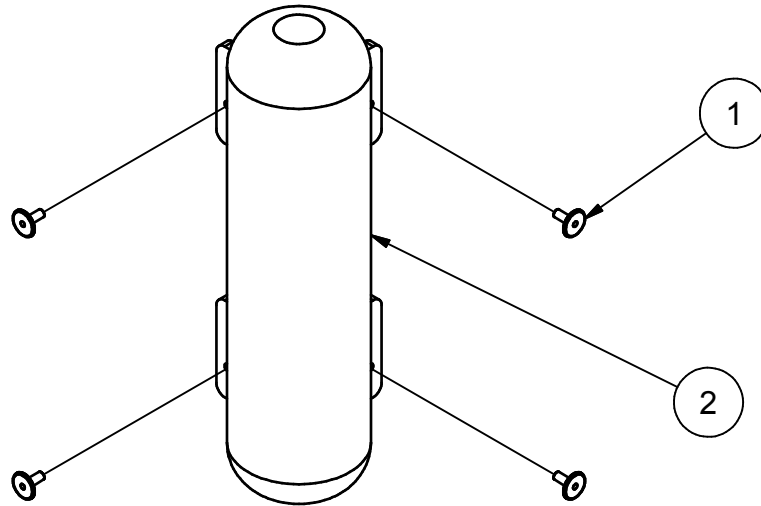
***Want the best? Go with the FLOE!***

# FLOE PREMIUM CORNER BUMPER (GREY)

## EXPLODED VIEW AND BOM

KIT P/N 510-04101-00

ITEM	QTY	PART NUMBER	DESCRIPTION
1	4	001-05700-00	RIVET, AS65LF
2	1	010-00501-00	PREMIUM CORNER BUMPER (GREY)



### STEP 1

- Place corner bumper on the corner of the dock as shown and drill four #9 holes through the bumper and dock tube to the dimensions below. Insert a rivet in each of the holes and secure with the rivet tool.

