

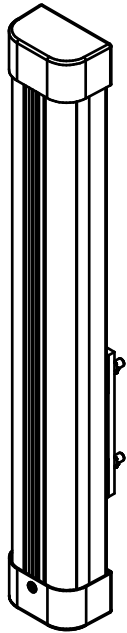
FLOE VERTICAL BUMPERS FOR ROLL-IN AND SECTIONAL DOCKS

ASSEMBLY INSTRUCTIONS

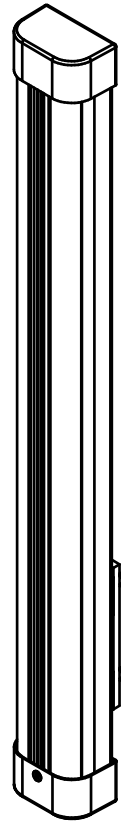
FOR 30"-40" BUMPERS

KIT P/N 510-03012-00/510-03013-00

KIT P/N 510-03014-00/510-03015-00



510-03012-00
510-03013-00 - ALUMA-GRAIN
30" VERTICAL BUMPER



510-03014-00
510-03015-00 - ALUMA-GRAIN
40" VERTICAL BUMPER

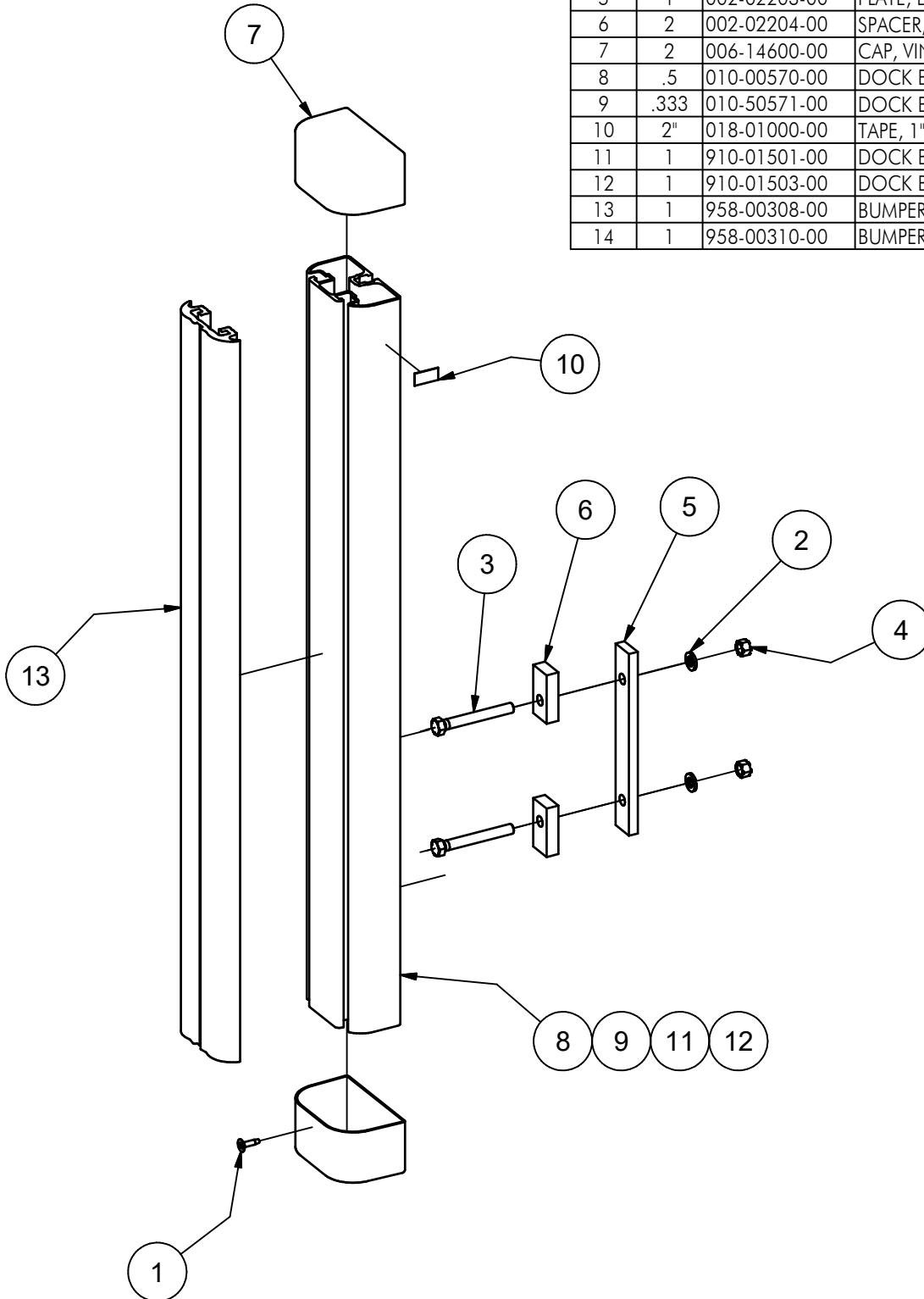
TOOLS REQUIRED

- 9/16" SOCKET
- 9/16" WRENCH
- TORQUE WRENCH
- FRAMING SQUARE
- TAPE MEASURE
- CENTER PUNCH
- CORDLESS DRILL
- 13/32" DRILL BIT

} REQUIRED FOR
ATTACHING TO
A SECTIONAL
DOCK

PARTS LIST/EXPLODED VIEW

ITEM	QTY	PART NUMBER	DESCRIPTION
1	1	001-29825-00	10-24 X 3/4" SQWF
2	2	001-71067-00	3/8" LOCK WASHER, SS
3	2	001-71191-00	HHCS, 3/8-16 X 3" SS
4	2	001-76349-00	3/8" NUT, ALUMINUM
5	1	002-02203-00	PLATE, DOCK ACCESSORY
6	2	002-02204-00	SPACER, DOCK ACCESSORY
7	2	006-14600-00	CAP, VINYL BUMPER
8	.5	010-00570-00	DOCK BUMPER, 40" ALUMA-GRAIN
9	.333	010-50571-00	DOCK BUMPER, 30" ALUMA-GRAIN
10	2"	018-01000-00	TAPE, 1" DOUBLE SIDE
11	1	910-01501-00	DOCK BUMPER, 30"
12	1	910-01503-00	DOCK BUMPER, 40"
13	1	958-00308-00	BUMPER, PVC (GREY) 29.75"
14	1	958-00310-00	BUMPER, PVC (GREY) 39.75"



INSTALLATION INSTRUCTIONS FOR ROLL-IN DOCKS

KIT P/N 510-03012-00/510-03013-00
KIT P/N 510-03014-00/510-03015-00

STEP 1

SEE FIG. 1

-SLIDE THE TOP END CAP WITH NO DRAIN HOLE OFF THE BUMPER.

ATTENTION: DO NOT REMOVE END CAP WITH DRAIN HOLE AS THIS IS THE BOTTOM CAP.

-SLIDE (2) 3/8" X 3" BOLTS INTO THE GROOVE ON THE BUMPER.

-REMOVE THE BACKING OFF THE TAPE AND RE-INSTALL CAP.

REMOVE CAP
WITH NO DRAIN HOLE

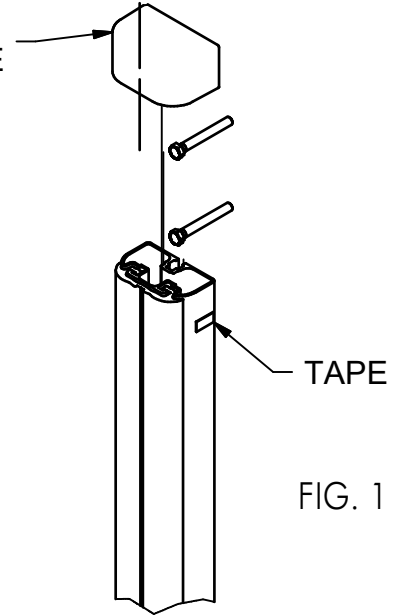


FIG. 1

STEP 2

SEE FIG. 2

-SET BUMPER INTO POSITION SO THAT THE BOTTOM BOLT RESTS ON THE BOTTOM RAIL OF THE DOCK.

-SLIDE (1) SPACER OVER EACH BOLT. IF BOLT IS CLOSE TO WEBBING YOU DO NOT NEED TO ADD A SPACER.

-SLIDE THE PLATE ONTO THE BOLTS.

-SLIDE 3/8" LOCK WASERS ONTO BOLTS.

-FASTEN WITH 3/8" ALUM. NUT.

-TORQUE TO 30 FT/LBS.

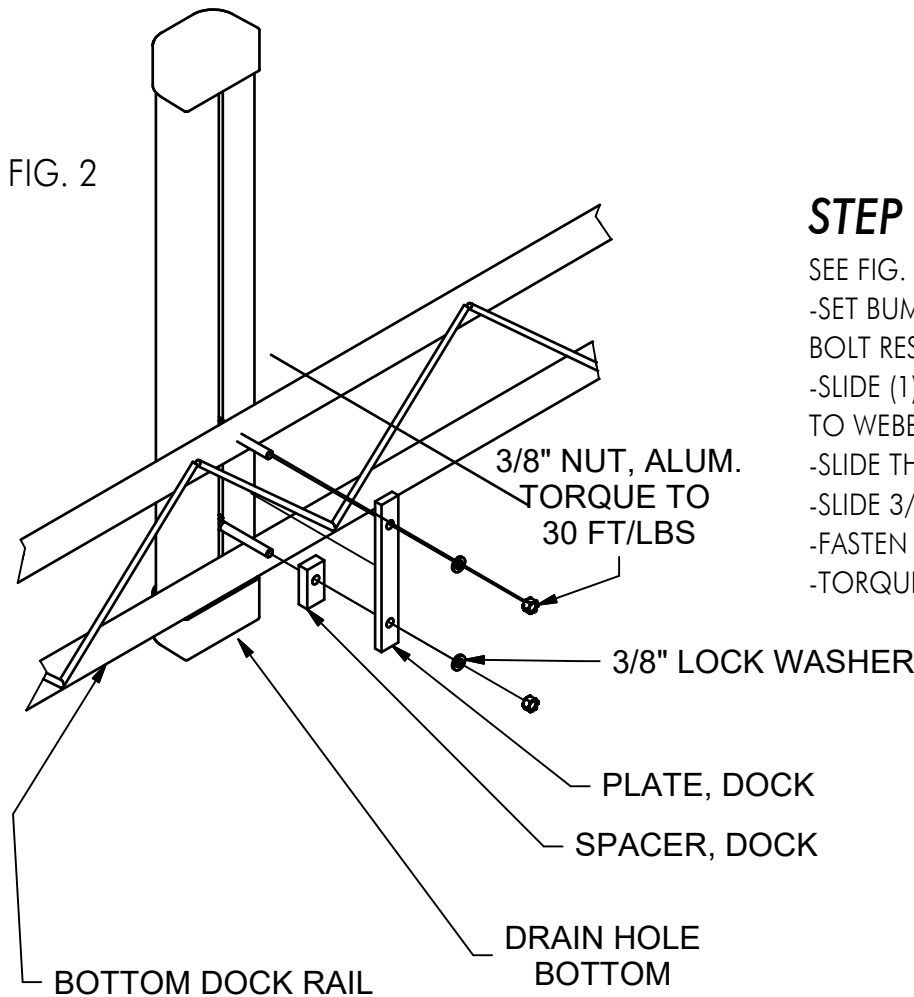


FIG. 3

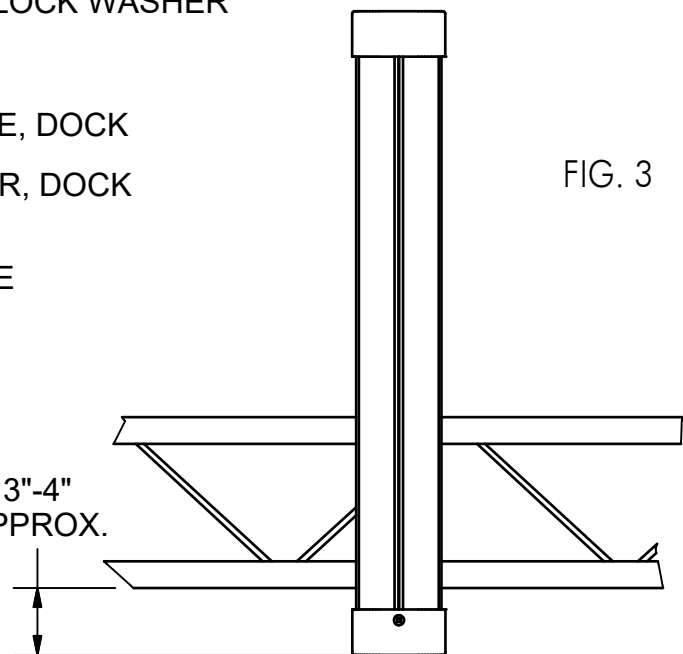
STEP 3

SEE FIG. 3

-IT IS RECOMMENDED THAT THE BOTTOM OF THE BUMPER IS LOCATED 3-4" BELOW THE BOTTOM OF THE DOCK FRAME.

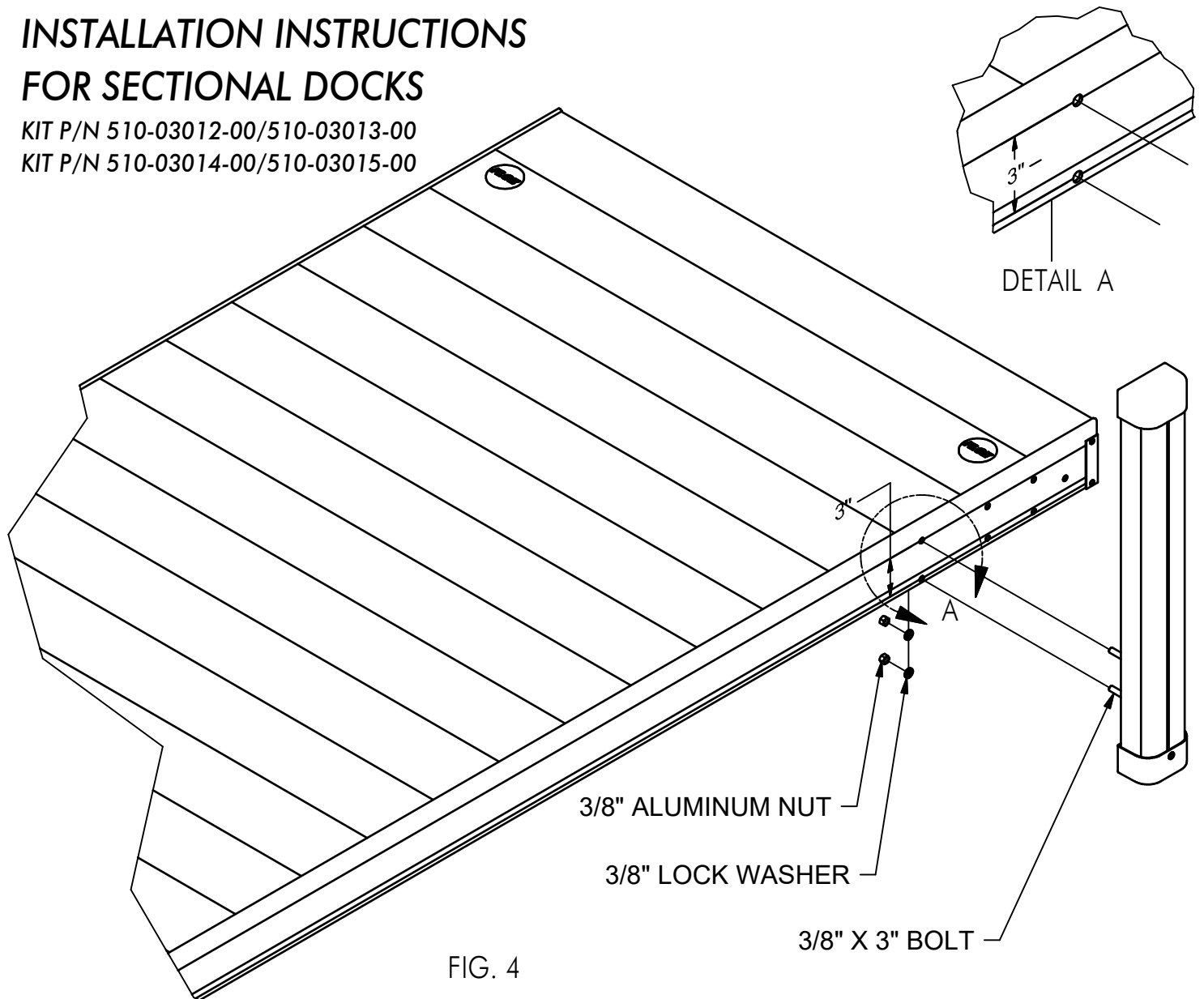
-BUMPER CAN BE ADJUSTED VERTICALLY FOR CERTAIN SITUATIONS.

3"-4"
APPROX.



INSTALLATION INSTRUCTIONS FOR SECTIONAL DOCKS

KIT P/N 510-03012-00/510-03013-00
KIT P/N 510-03014-00/510-03015-00



SECTIONAL DOCKS

- FOR ATTACHMENT TO A SECTIONAL DOCK, MOUNTING HOLES MUST BE DRILLED USING A 13/32" DRILL BIT. AFTER DETERMINING THE LOCATION OF THE BUMPER, USE A FRAMING SQUARE AND MARK A VERTICAL LINE ACROSS THE TOP AND BOTTOM SERRATION (THESE SERRATIONS ARE 3" APART AND ARE INTENDED TO ACT AS A HOLE SPACING REFERENCE; REFER TO DETAIL A). USE THE HAMMER AND CENTER PUNCH TO MAKE A DIMPLE FOR THE DRILL BIT. THIS HELPS TO PREVENT THE DRILL FROM WANDERING DURING THE DRILLING PROCESS. KEEP THE DRILL BIT PERPENDICULAR TO THE DOCK FRAME WHILE DRILLING. SLIDE (2) 3/8 X 3" BOLTS INTO THE GROOVE ON THE BUMPER. REMOVE THE BACKING OFF THE TAPE AND REINSTALL CAP. INSERT THE BOLTS THROUGH THE DOCK SIDE. PLACE (2) LOCK WASHERS AND (2) ALUMINUM NUTS ON THE BOLTS, AND TORQUE TO 30 FT/LBS., MAKING SURE THE BUMPER IS SQUARE TO THE DOCK.