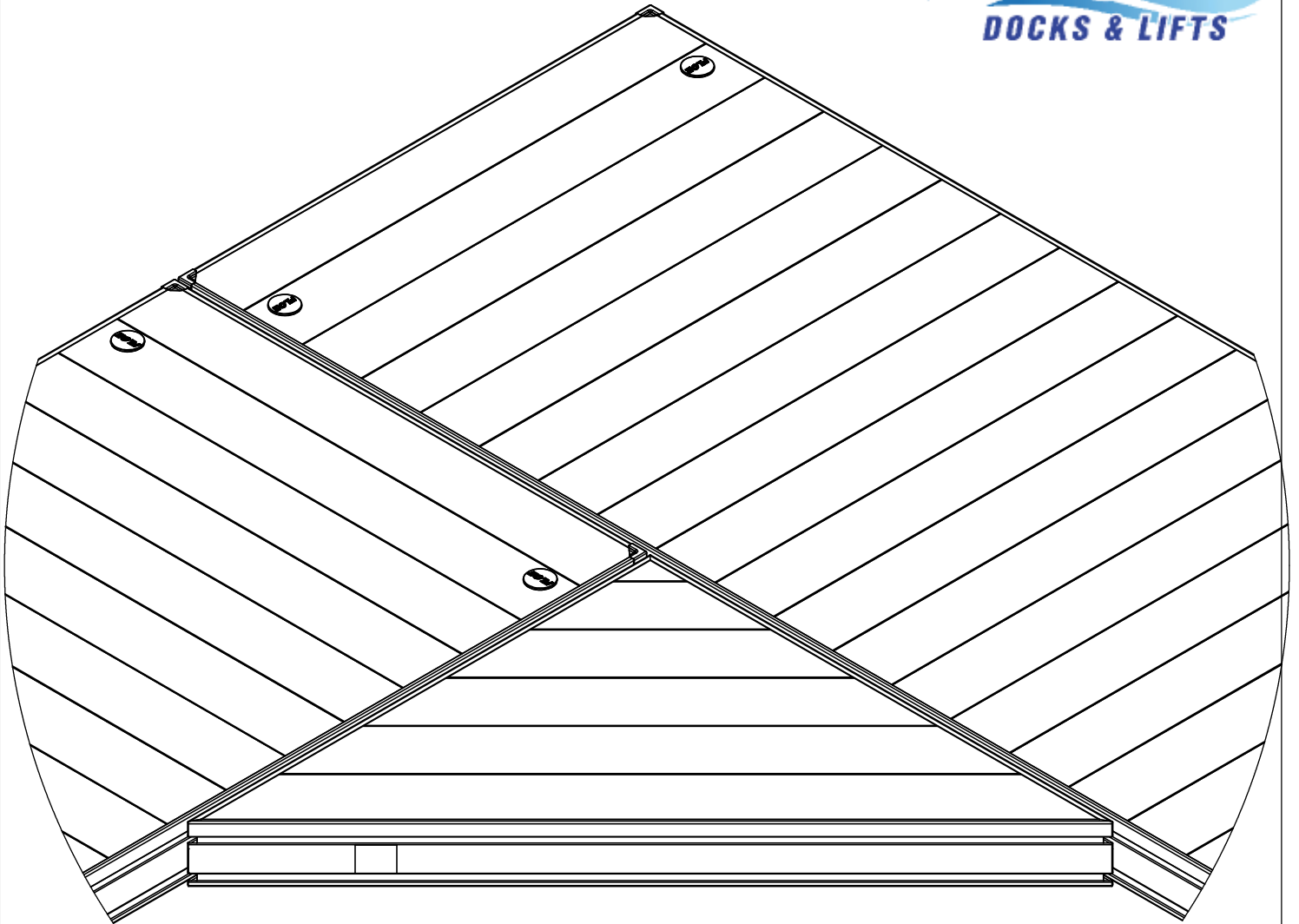


FLOE QUICK ATTACH SECTIONAL WEDGE ASSEMBLY INSTRUCTIONS

P/N's 510-02566-00 & 510-02567-00

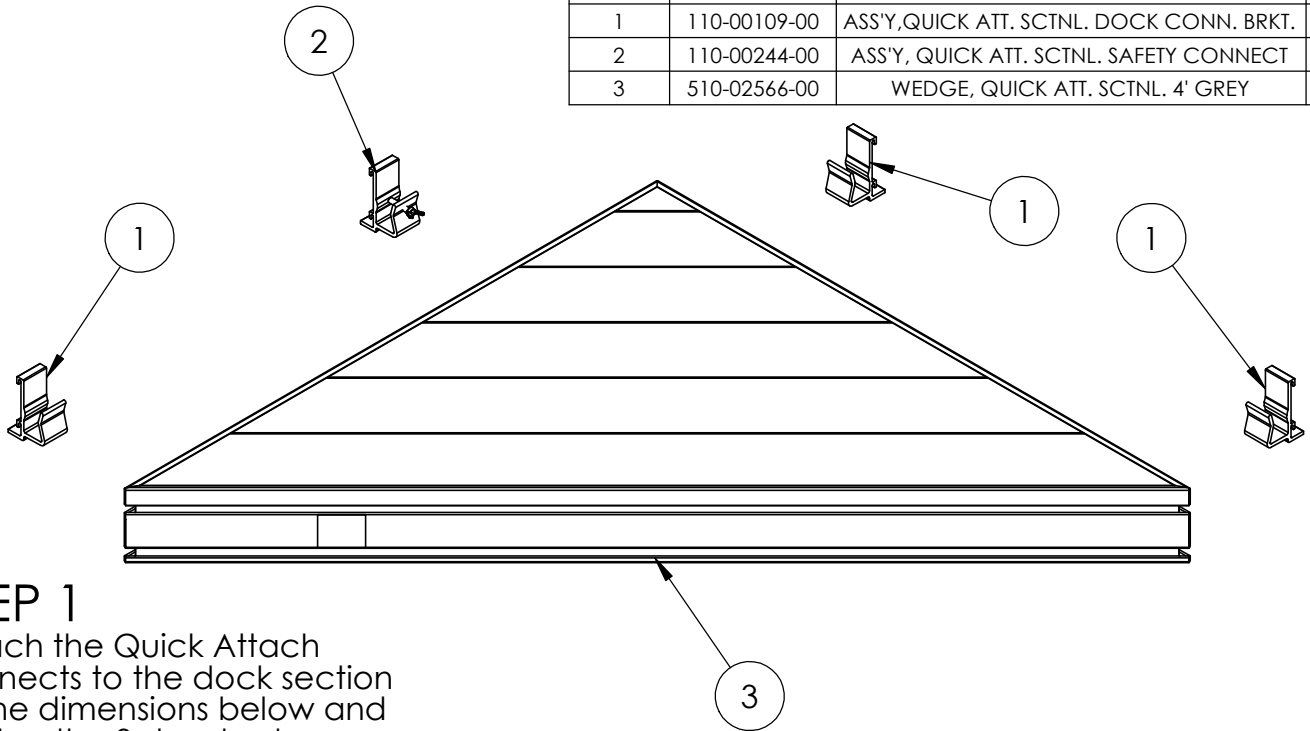


TOOLS REQUIRED
- 7/32" ALLEN WRENCH
- TAPE MEASURE

© Manufactured by:
Floe International Inc.
48473 State Hwy. 65
McGregor, MN 55760
www.floeintl.com

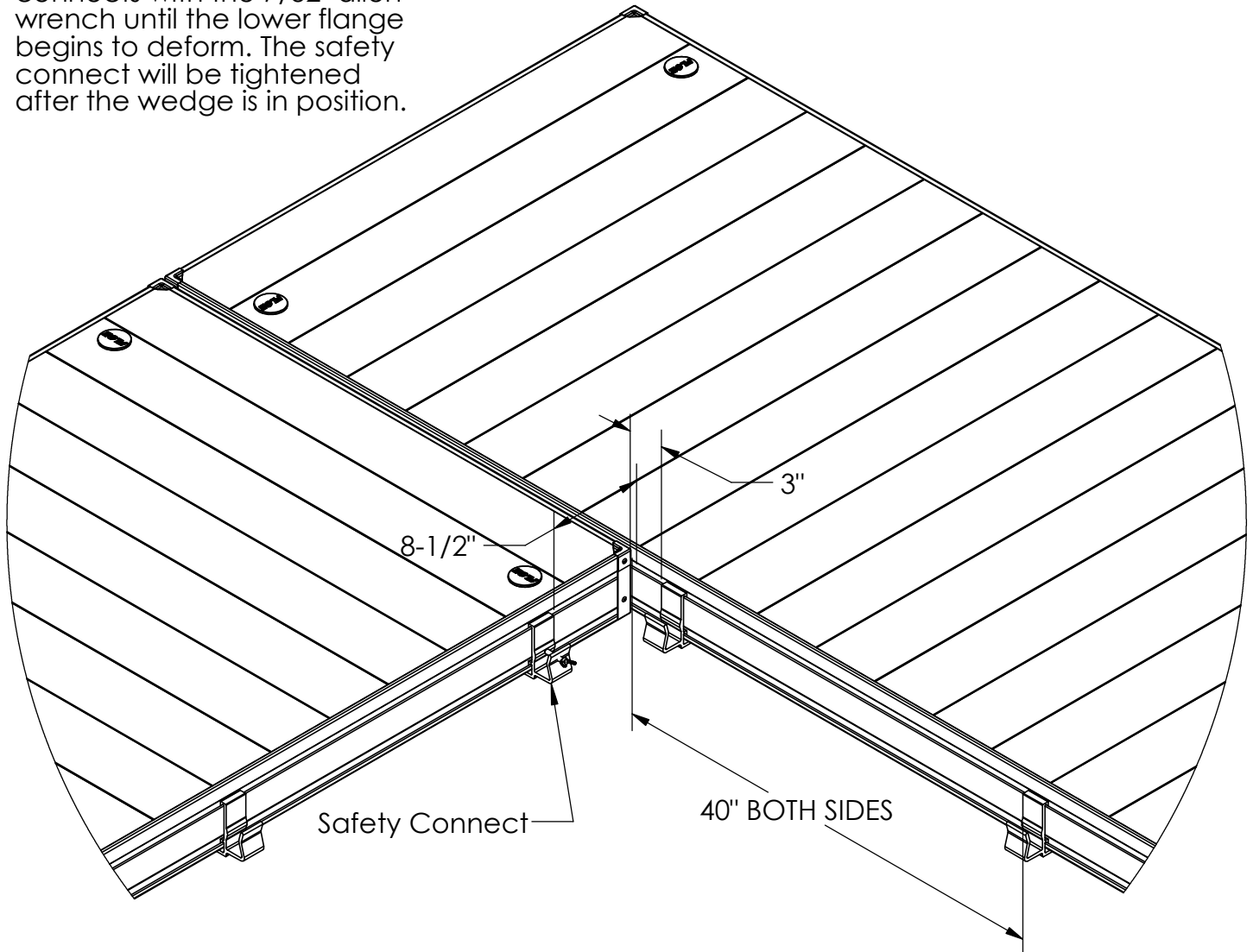
INSTRUCTION P/N 610-02566-00
ISSUED 2/27/2017

ITEM NO.	PART NUMBER	DESCRIPTION	QTY.
1	110-00109-00	ASS'Y, QUICK ATT. SCTNL. DOCK CONN. BRKT.	3
2	110-00244-00	ASS'Y, QUICK ATT. SCTNL. SAFETY CONNECT	1
3	510-02566-00	WEDGE, QUICK ATT. SCTNL. 4' GREY	1



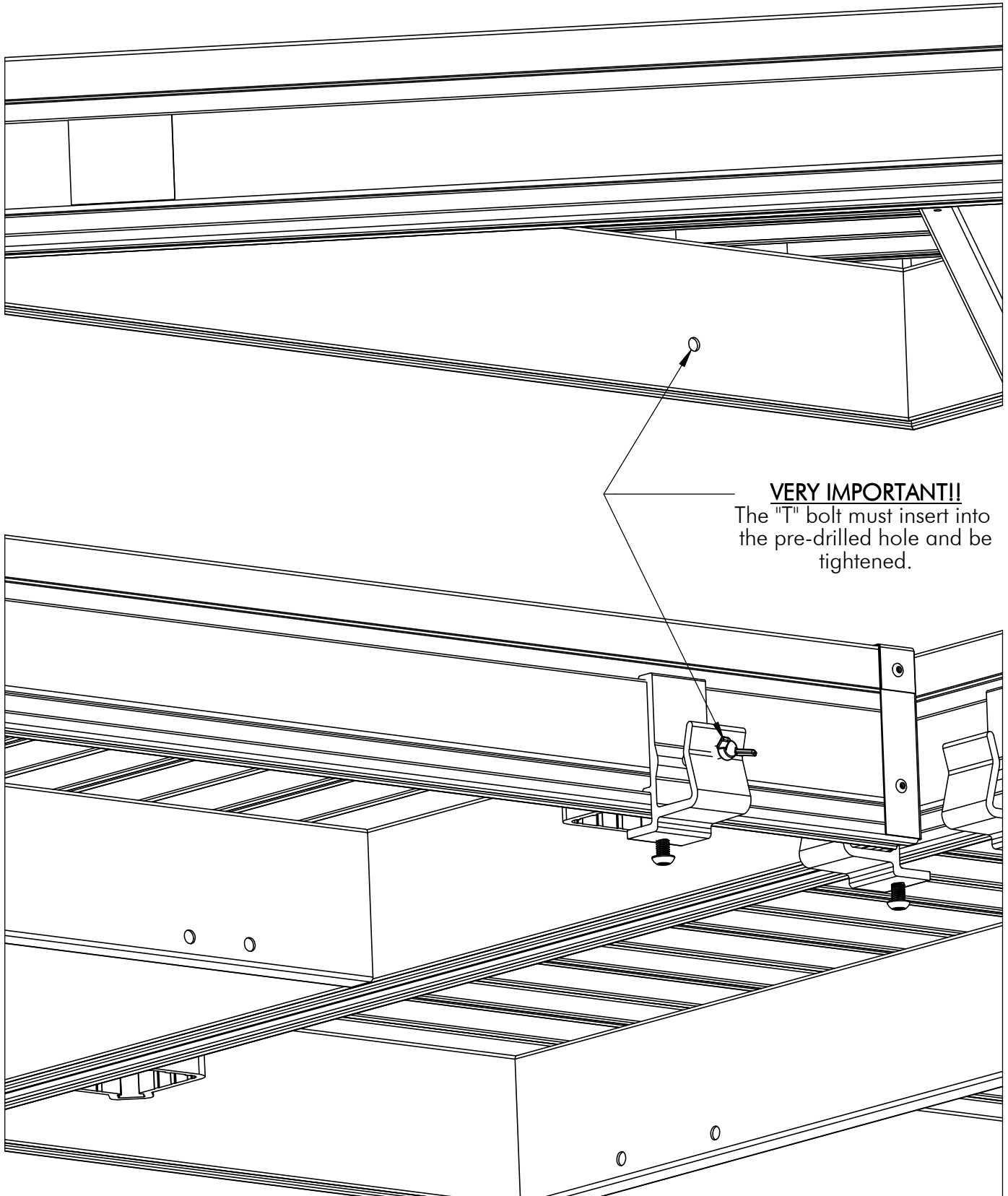
STEP 1

Attach the Quick Attach connects to the dock section at the dimensions below and tighten the 3 standard connects with the 7/32" allen wrench until the lower flange begins to deform. The safety connect will be tightened after the wedge is in position.



STEP 2

Lower the wedge into the connects. It may be necessary to adjust the Safety Connect slightly to insure the "T" bolt inserts into the pre-drilled hole.



STEP 3

Tighten the button head cap crew on the Safety Connect until the lower flange begins to deform. Re-check all the fasteners to insure that they are tight.

