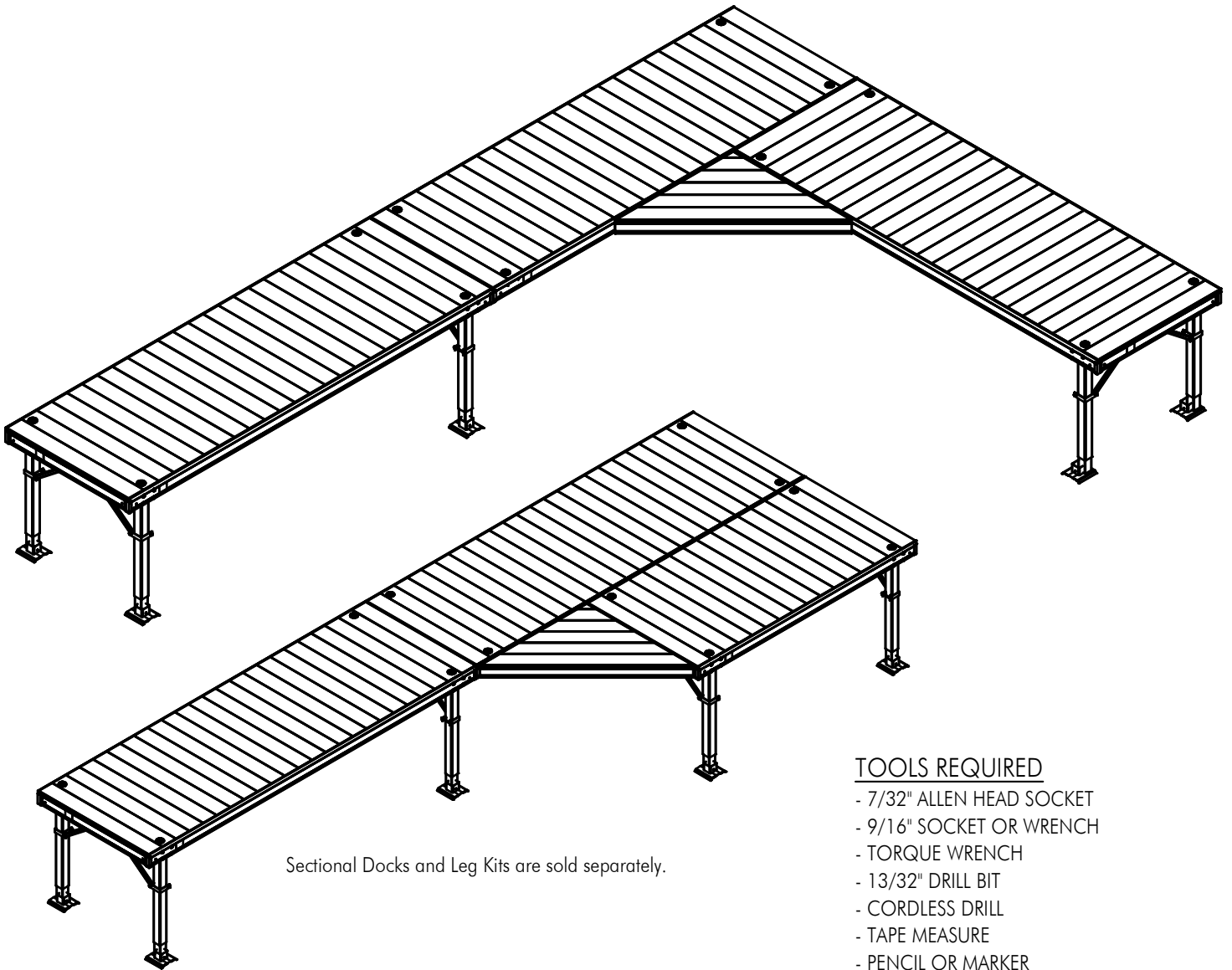


FLOE SECTIONAL DOCK WEDGE

ASSEMBLY INSTRUCTIONS

KIT P/N 510-02150-00 4' GREY ALUMINUM

KIT P/N 510-02155-00 4' ALUMA-GRAIN



Sectional Docks and Leg Kits are sold separately.

TOOLS REQUIRED

- 7/32" ALLEN HEAD SOCKET
- 9/16" SOCKET OR WRENCH
- TORQUE WRENCH
- 13/32" DRILL BIT
- CORDLESS DRILL
- TAPE MEASURE
- PENCIL OR MARKER

Want the best? Go with the FLOE!

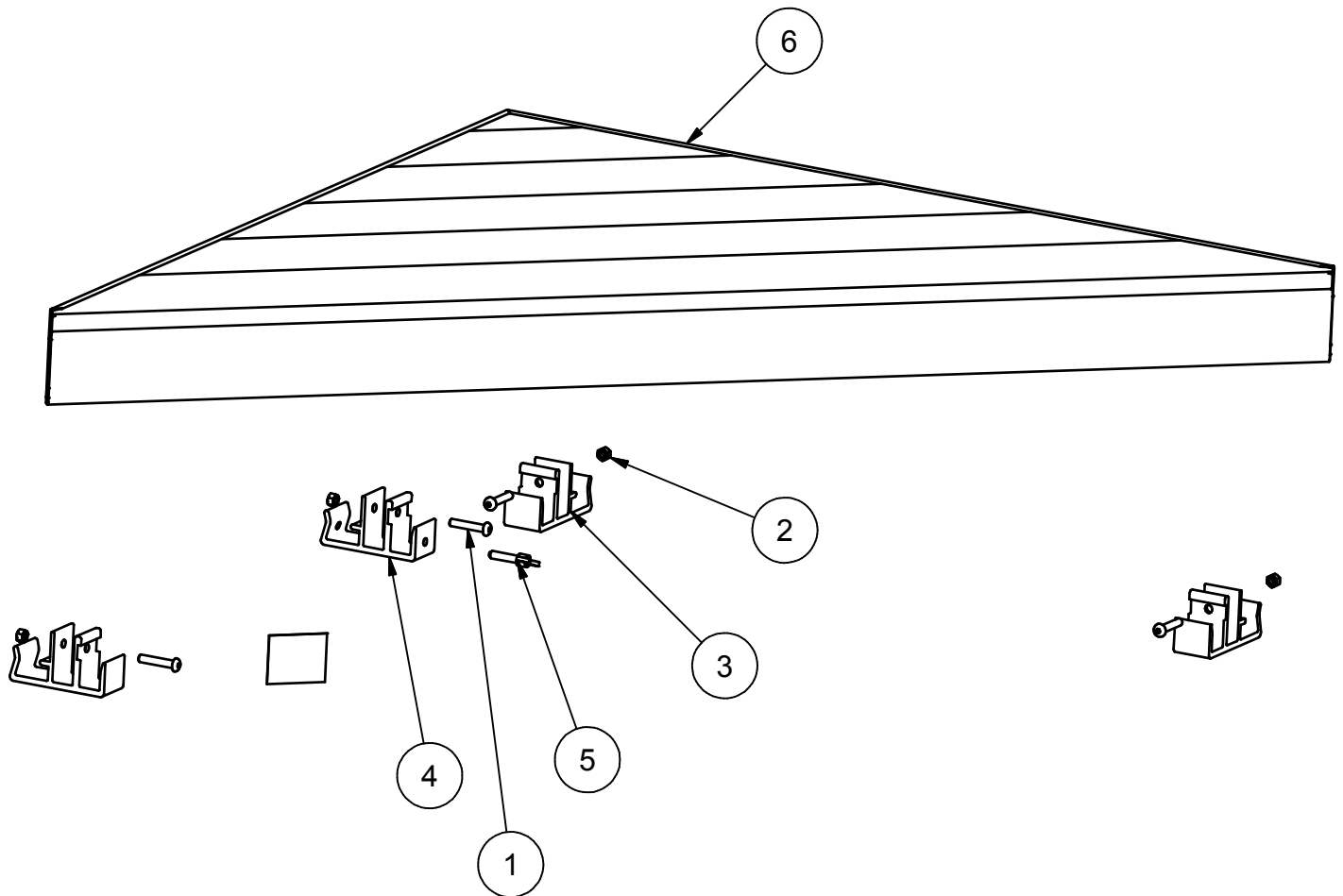
FLOE SECTIONAL DOCK WEDGE

EXPLODED VIEW AND BOM

KIT P/N 510-02150-00 4' GREY ALUMINUM

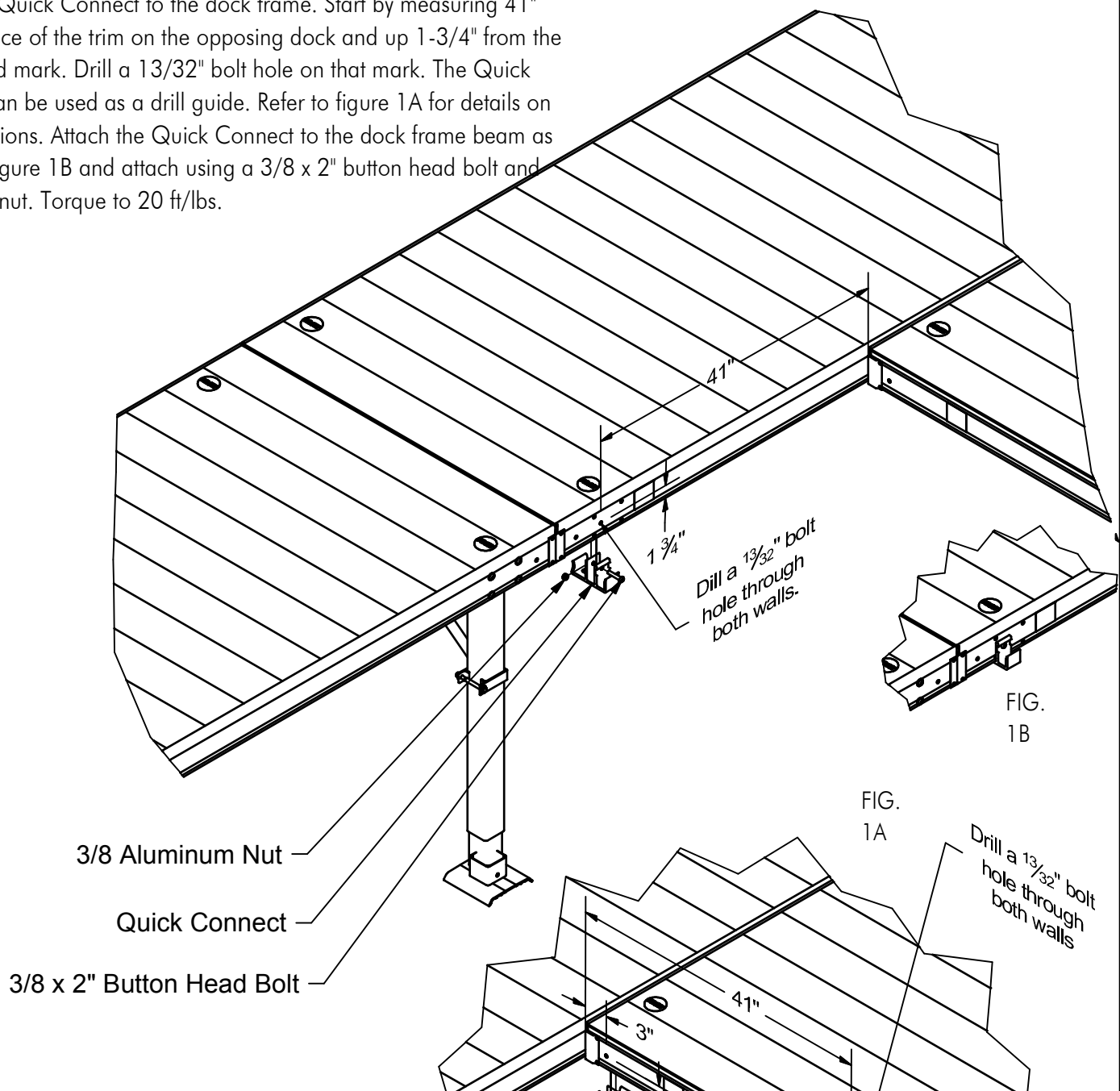
KIT P/N 510-02155-00 4' ALUMA-GRAIN

ITEM	QTY	PART NUMBER	DESCRIPTION
1	4	001-73819-00	BHCS, 3/8-16 x 2" ss
2	4	001-76349-00	NUT, 3/8-16 ALUM
3	3	002-07002-00	QUICK CONNECT, SCTNL. DOCK
4	1	002-07025-00	SAFETY QC, SCTNL. DOCK
5	1	010-01200-00	BOLT, WEDGE T-SAFETY
6	1	110-02025-00	WELD'T, 4' SCTN'L WEDGE (GREY)
	OR	110-02027-00	WELD'T, 4' SCTN'L WEDGE ALUMA GRAIN
5	1	007-11301-00	DECAL, FLOE GRAPHICS 3 X 2.5



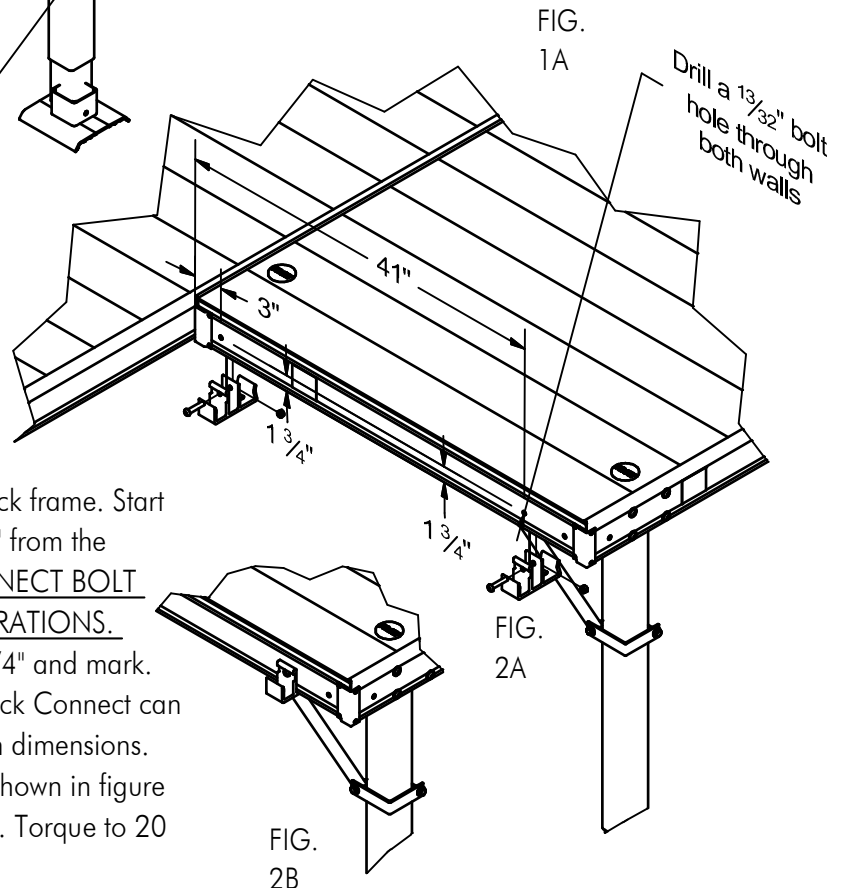
STEP 1

- Attach a Quick Connect to the dock frame. Start by measuring 41" from the face of the trim on the opposing dock and up 1-3/4" from the bottom and mark. Drill a 13/32" bolt hole on that mark. The Quick Connect can be used as a drill guide. Refer to figure 1A for details on the dimensions. Attach the Quick Connect to the dock frame beam as shown in figure 1B and attach using a 3/8 x 2" button head bolt and aluminum nut. Torque to 20 ft/lbs.



STEP 2

- Attach the second and third Quick Connects to the dock frame. Start by measuring 3" from the face of the trim and up 1-3/4" from the bottom and mark. NOTE: THE EXISTING QUICK CONNECT BOLT HOLE WILL BE AVAILABLE TO USE IN SOME CONFIGURATIONS. Measure 41" from the face of the dock trim and up 1 3/4" and mark. Drill the two 13/32" bolt holes on those marks. The Quick Connect can be used as a drill guide. Refer to figure 2A for details on dimensions. Attach the Quick Connect on the dock frame beam as shown in figure 2B using a 3/8 x 2" button head bolt and aluminum nut. Torque to 20 ft/lbs.



STEP 3

- Attach a Safety Quick Connect to the Wedge frame. The position is predetermined by the bolt hole in the inside of the Wedge. Start by placing the Wedge in the three installed Quick Connects as shown in figure 3A. Slide the Safety Quick Connect up onto the Wedge and dock frame as shown in figure 3B and thread the "T" Bolt into the bolt hole located on the inside of the wedge making sure that it passes through the hole in the Wedge and that the Safety Quick Connect is tight against the bottom of the frame. Mark the location for the Safety Quick Connect by tracing the outer edges on the bottom of the dock frame. Refer to figure 3C for detail. Remove the Wedge from the Quick Connects. Place the connect between the marks and drill a 13/32" bolt hole using the Safety Quick Connect as a guide. Attach the Safety Quick Connect to the dock frame as shown in figure 3C using a 3/8 x 2" button head bolt and aluminum nut. Torque to 20 ft/lbs. Place the Wedge back into the Quick Connects and securley lock into place by tightening the "T" Bolt in the Safety Quick Connect.

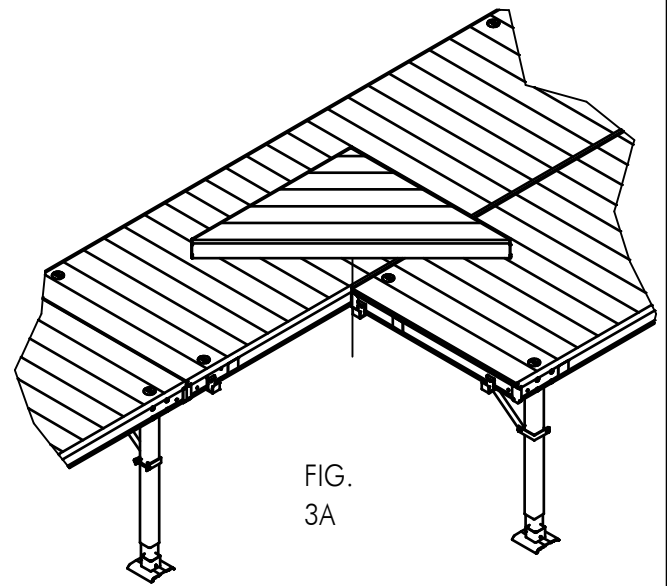


FIG. 3A

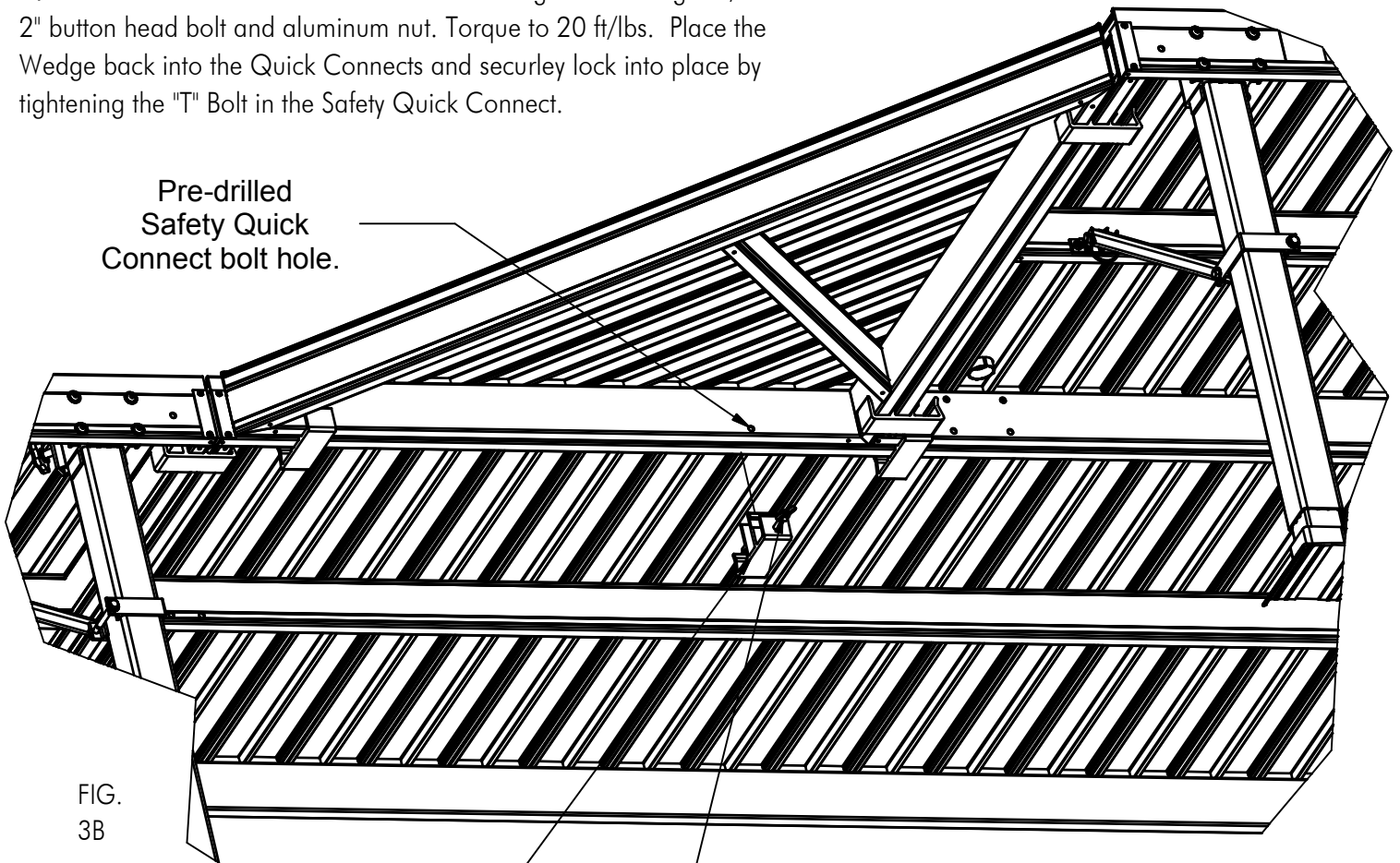


FIG. 3B

Slide the Safety Quick Connect onto frame.

"T" Bolt

Mark the location of the Safety Quick Connect by tracing a line on both sides.

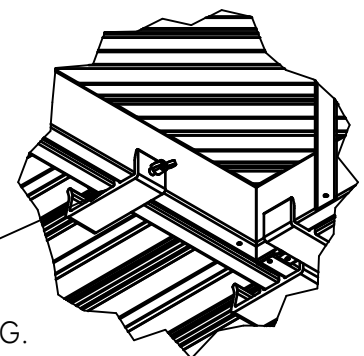


FIG. 3C