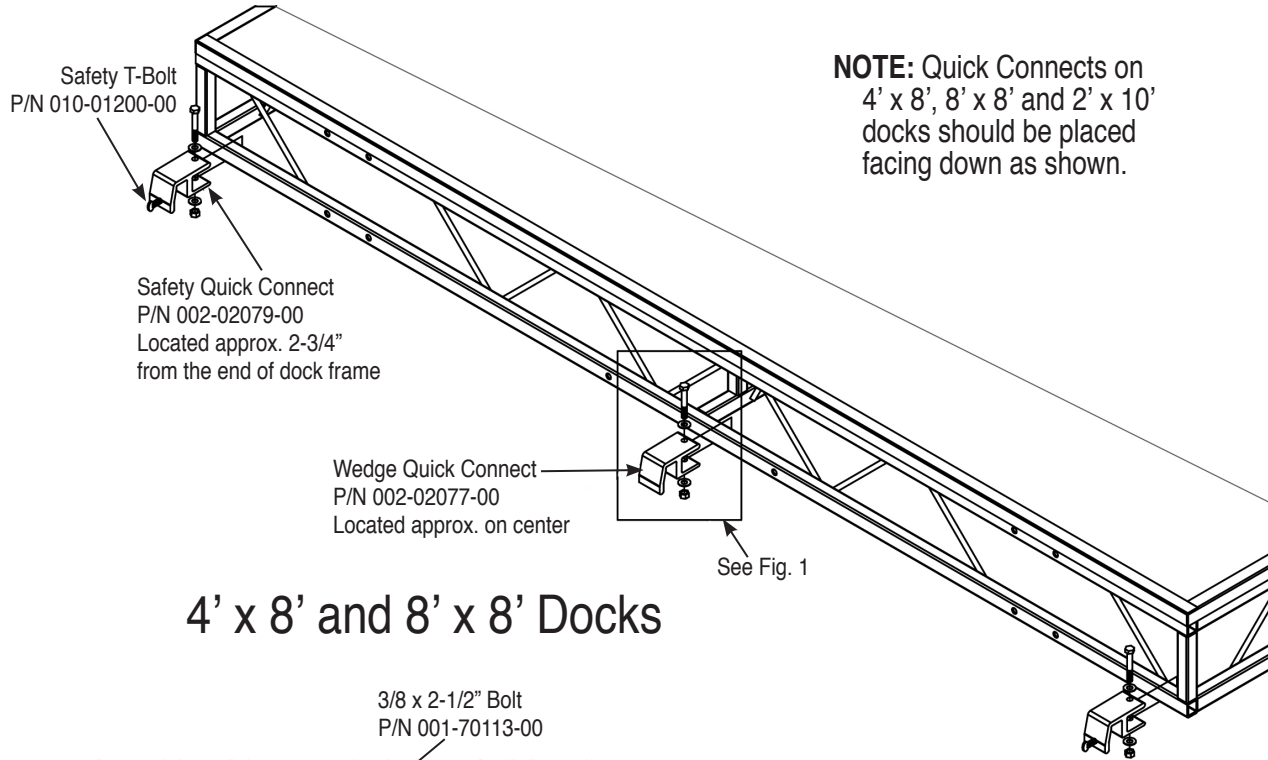


# FLOE DOCKS

## QUICK CONNECT ASSEMBLY INSTRUCTIONS

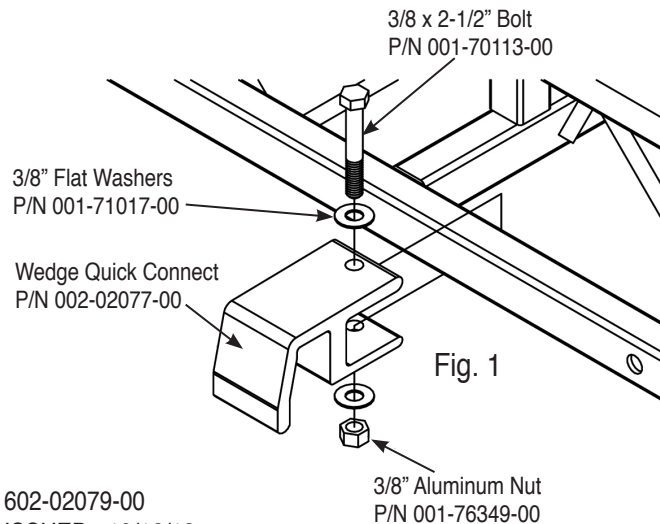
4' x 8', 8' x 8' and 2' x 10' Docks



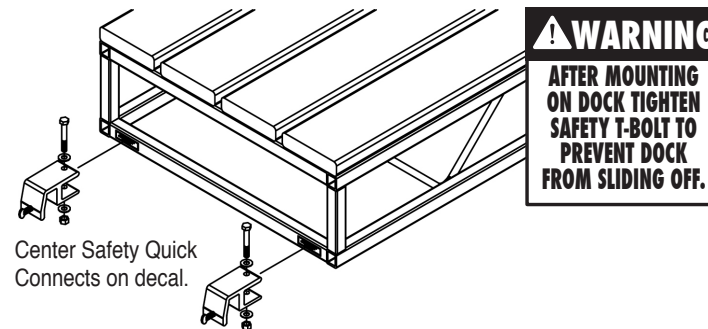
**NOTE:** Quick Connects on 4' x 8', 8' x 8' and 2' x 10' docks should be placed facing down as shown.

- Attach quick connects as shown. Center Quick Connects on decals on the 2' x 10' docks. Attach using the 2-1/2" bolt, nut, and flat washer provided.
- Note: The 2' x 10' Dock uses (2) Safety Quick Connects only. The 4' x 8 and 8' x 8' uses (2) Safety Quick Connects, and (1) Wedge Quick Connect.
- Position Quick Connect so it doesn't interfere with webbing on docks.
- Slide Quick Connect to widest portion of dock until it hits upright and move back 1/8" so it isn't touching the webbing.
- Square Quick Connects to dock frame before tightening 2-1/2" bolt for ease of fit to next section.

### 4' x 8' and 8' x 8' Docks



### 2' x 10' Dock



**⚠ WARNING**  
**AFTER MOUNTING ON DOCK TIGHTEN SAFETY T-BOLT TO PREVENT DOCK FROM SLIDING OFF.**

Center Safety Quick Connects on decal.

602-02079-00  
 ISSUED: 10/16/12

**Want the best? Go with the FLOE!**

©Floe International, Inc.  
 48473 State Hwy. 65  
 McGregor, MN 55760  
 www.floeintl.com  
 All rights reserved.